

CX-33PS

Door Control & Power Supply



EASIER
INSTALLATION



ADVANCED
TECHNOLOGY

CX-33 Advanced Logic Relay is now available in pre-wired power supply cabinet!

Camden CX-33PS control and power supply cabinet is designed to provide the easiest installation, with pre-wired system components, large color coded wiring terminals, and a compact metal cabinet, with option for a lock. The UL listed 2 Amp power supply is able to supply power to controls and annunciators, as well as, electrified locking devices. A class II transformer is also provided.

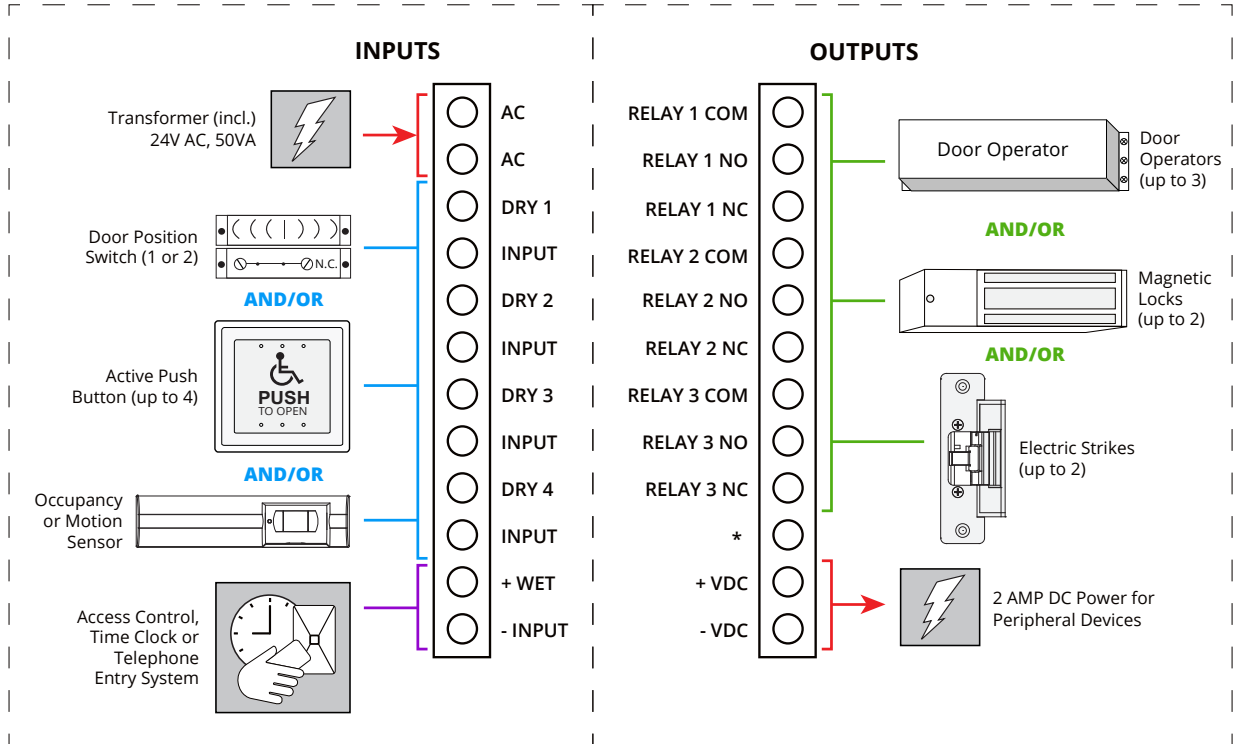
CX-33PS control and power supply cabinets provide a code compliant solution for any door control application and are pre-configured when purchased as part of Camden restroom control and emergency call system kits.

Features

- Complies with ANSI A158.19 for Power Operated Pedestrian doors.
- 12V or 24V DC selectable power supply module.
- Short circuit and thermal overload protection.
- Visual LED indicator for easy diagnosing
- 15 Operating modes selected using 3 simple pushbuttons.
- Enhanced security features include; Lock down mode and delayed relay activation.
- Three large, blue 8-segment LED displays for easy programming and configuration.
- Five convenient conduit knockouts; one per side.
- Pre-punched cam lock provision (Cam lock set ordered separately.)
- 3 year warranty



TERMINALS

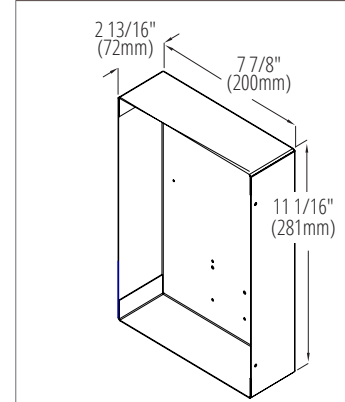


Refer to CX-33 Advanced Logic Relay specification sheet for more Controller information.
 Refer to CX-WC Series specification sheet for more Barrier Free Restroom Control System information.

SPECIFICATIONS

AC INPUT:	12V to 28V	INPUTS:	(4) Dry (1) Wet 5V to 120V AC/DC, Non Polarity Optically Isolated
DC OUTPUT:	12V or 24V DC	OUTPUTS:	(3) Form 'C' (SPDT), 3 Amps @ 24V DC
CURRENT:	2 Amps	TIME DELAY:	Hold 1 Timer: 0 to 50 seconds Delay 1 Timer: 0 to 15 seconds Hold 2 Timer: 0 to 50 seconds Delay 2 Timer: 0 to 60 seconds Hold 3 Timer: 0 to 50 seconds Delay on Activate: 0 to 10 seconds
BATTERY BACKUP:	Gel Type Battery	DIMENSIONS:	7 7/8" W x 11 1/16" H x 2 13/16" D (200mm x 281mm x 72mm)
LED INDICATOR:	AC and DC Output		
TEMPERATURE:	40°F to 158°F (-40°C to 70°C)		

DIMENSIONS



ORDERING INFORMATION

Door Control Power Supply



CX-33PS

Advanced Logic Relay, 2 Amp, Power Supply Cabinet and Transformer
 A complete kit for any timed door application which includes a metal cabinet, power supply, a CX-33 control relay, and a 120/24V AC Class II transformer.

'L'

Add suffix 'L' to model number for Cabinet Lock