

CM-221 & CM-222 Series ValueWave™ Touchless Switches



Camden CM-221 & CM-222 Series ValueWave™ switches eliminate the spread of germs through the convenience of hands-free activation, and provide industry-leading dependability and performance.

Ideal for indoor or outdoor use, as part of an automatic door or access control system, ValueWave™ no-touch switches are designed for easy installation and trouble-free service in high traffic applications.

CM-221 & CM-222 Series switches are available in a range of models with narrow, round, single, and double gang stainless steel faceplates, and a selection of faceplate graphics.

Features

- Adjustable sensor range 2" to 8" (5 to 20 cm)
- Adjustable time delay (0.5 to 20 sec.) and toggle operation
- Red/green or blue/green light ring with switch or remote activation
- Weather/water resistant, IP 65 rated
- Single, narrow and double gang heavy gauge stainless steel faceplates
- Selection of faceplate laser etched graphics, resistant to cleaners
- (1) Form 'C' contact, 1A @ 30 VDC
- Option for manual 'Override' switch



SPECIFICATIONS

OPERATING VOLTAGE: - 12 - 24 VDC \pm 10%
 - FILTERED, REGULATED DC POWER SUPPLY REQUIRED
 - CONNECTION OF AC OR DC VOLTAGE ABOVE SPECIFIED RANGE VOIDS WARRANTY
 CURRENT DRAW: 45 mA (PEAK)

RESPONSE TIME: 10ms
 TEMPERATURE RANGE: 14°F to 122°F (-10°C to +50°C)
 CONTACT RATING: 1 AMP @ 30 VDC
 CONTACTS: COMMON / N.O. / N.C.

MODELS	RED / GREEN ILLUMINATION	BLUE / GREEN ILLUMINATION
'Wave to Open' Graphics	CM-221 / A42 ValueWave™ Touchless Switch Single Gang, Compatible Surface Mounting Box CM-34BL.	CM-222 / A42 ValueWave™ Touchless Switch Single Gang, Compatible Surface Mounting Box CM-34BL.
	CM-221 / A42N ValueWave™ Touchless Switch Narrow (Jamb), Compatible Surface Mounting Box CM-23D.	CM-222 / A42N ValueWave™ Touchless Switch Narrow (Jamb), Compatible Surface Mounting Box CM-23D.
	CM-221 / A42W ValueWave™ Touchless Switch Double Gang, Compatible Surface Mounting Box CM-53.	CM-222 / A42W ValueWave™ Touchless Switch Double Gang, Compatible Surface Mounting Box CM-53.
'Wave to Exit' Graphics	CM-221 / 46 ValueWave™ Touchless Switch Single Gang, Compatible Surface Mounting Box CM-34BL.	CM-222 / 46 ValueWave™ Touchless Switch Single Gang, Compatible Surface Mounting Box CM-34BL.
	CM-221 / 46N ValueWave™ Touchless Switch Narrow (Jamb), Compatible Surface Mounting Box CM-23D.	CM-222 / 46N ValueWave™ Touchless Switch Narrow (Jamb), Compatible Surface Mounting Box CM-23D.
	CM-221 / 46W ValueWave™ Touchless Switch Double Gang, Compatible Surface Mounting Box CM-53.	CM-222 / 46W ValueWave™ Touchless Switch Double Gang, Compatible Surface Mounting Box CM-53.

SWITCH WITH MANUAL 'OVERRIDE'

CM-221M / 46 ValueWave™ touchless switch w/ manual 'override', single gang, red / green illumination, compatible surface mounting box CM-34BL.



CM-221M / 46N ValueWave™ touchless switch w/ manual 'override', narrow (jamb), red / green illumination, compatible surface mounting box CM-23D.

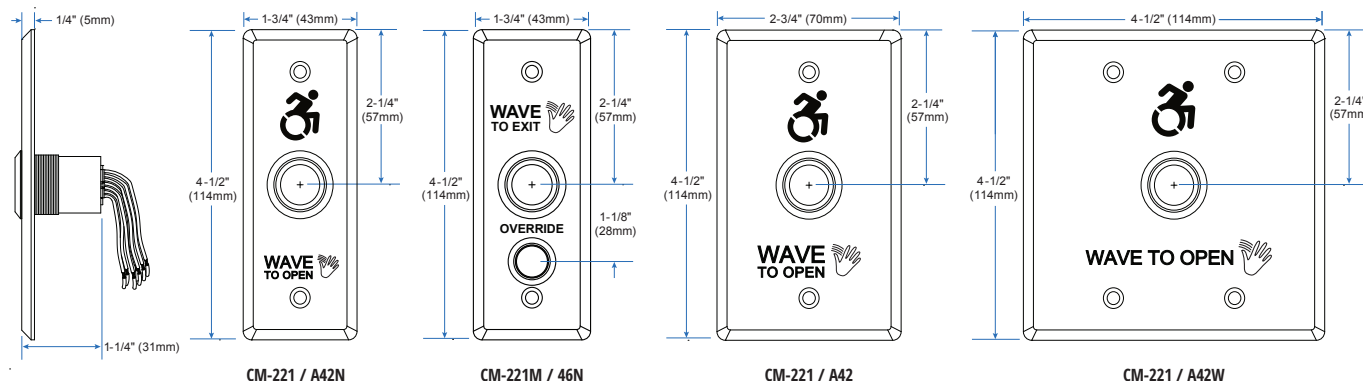


SWITCH AND POWER SUPPLY KIT

Add Suffix '-P3' to CM-221 & CM-222 Series Touchless Switch model # for a CX-PS13v3 Linear Power Supply.



SWITCH DIMENSIONS



Opening New Doors to Innovation, Quality, and Support!

2395 Skymark Ave, Mississauga, ON Canada L4W 4Y6 • Toll Free: 1(877) 226-3369 (CAMDEN9)
 Tel: (905) 366-3377 | Fax: (905) 366-3378 | E-mail: info@camdencontrols.com | www.camdencontrols.com



Part #: MKTG-LIT-SP-CM-221-222-R4