

SERIES 09 GLASS DOOR STRIKE, 1/2" GLASS



CX-EL0955

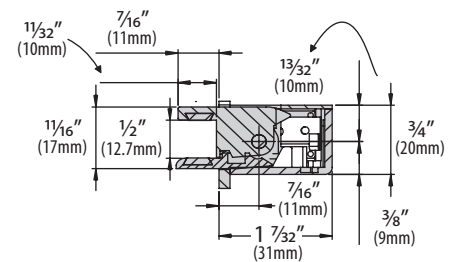
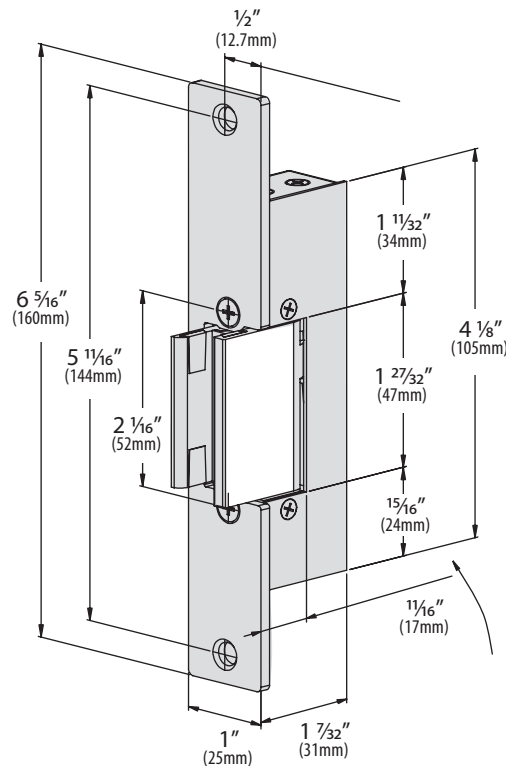
FEATURES

- 12V DC AND 24V DC MODELS
- FULLY REVERSIBLE FOR RIGHT OR LEFT HAND DOORS
- FAIL SECURE AND FAIL SAFE MODELS
- CONTINUOUS DUTY OPERATION
- INSTALL AT TOP OR SIDE OF DOOR FRAME
- 5 YEAR WARRANTY

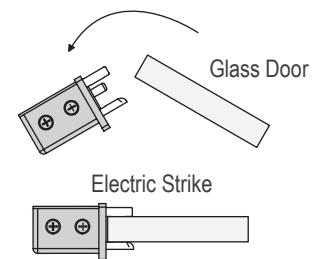
DESCRIPTION

Camden 09 Series electric strikes for glass doors are designed for use on single swing glass doors, 1/2" (12.7mm) thick. There are 12V DC and 24V DC fail secure and fail safe models. All glass door strikes are reversible for left and right handed doors and can be installed at the top or side of the door.

DIMENSIONS



Operation Detail



SERIES 09 GLASS DOOR STRIKE 1/2" GLASS PROJECTION

SPECIFICATIONS

VOLTAGE:	12V DC OR 24V DC
STATIC STRENGTH:	561 LBS. (254 KG.)
ENDURANCE:	200,000 CYCLES
DUTY:	CONTINUOUS DUTY OPERATION
STABILIZED DC CURRENT CONSUMPTION:	CX-EL0955: 180mA CX-EL0958: 180mA CX-EU0955: 150mA CX-EU0958: 120mA
CONTINUOUSLY OPERATING VOLTAGE RANGE IN V DC:	CX-EL/EU0955: 11-12 V CX-EL/EU0958: 23-24 V
OPERATING TEMP RANGE:	5°F TO 104°F (-15°C TO 40°C)
DIMENSIONS:	4 1/8" H x 3/4" W x 1 7/32" D (105mm x 20mm x 31mm)

ORDERING INFORMATION

CX-EL0955:	ELECTRIC STRIKE FOR GLASS DOORS, 12 VDC, FAIL SECURE
CX-EL0958:	ELECTRIC STRIKE FOR GLASS DOORS, 24 VDC, FAIL SECURE
CX-EU0955:	ELECTRIC STRIKE FOR GLASS DOORS, 12 VDC, FAIL SAFE
CX-EU0958:	ELECTRIC STRIKE FOR GLASS DOORS, 24 VDC, FAIL SAFE