



CM-75 Series Push Plate Switches



Easy Switch Activation



Activate by Hand

A new alternative for ADA compliant push plates at standard mounting height.



Activate by Arm / Body

A new level of convenient door activation in high traffic applications.



Activate by Foot

Meets or exceeds the new California building code requirement for a second push plate at 3" height.

CM-75 Series COLUMN™ Switch Models

- Aluminum

9" Tall and 36" Tall Switches

Selection of Finishes

Anodized Aluminum

Anodized Blue

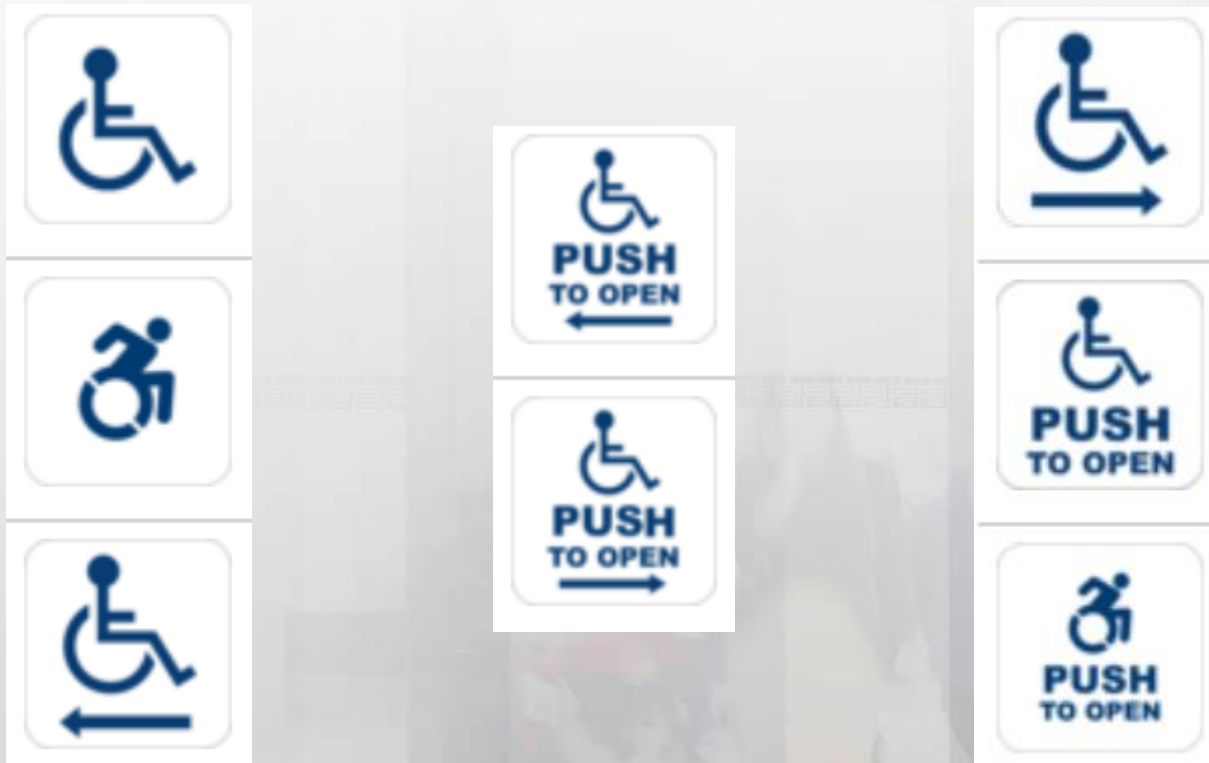
Anodized Dark Bronze

- Stainless Steel

36" Tall Switch

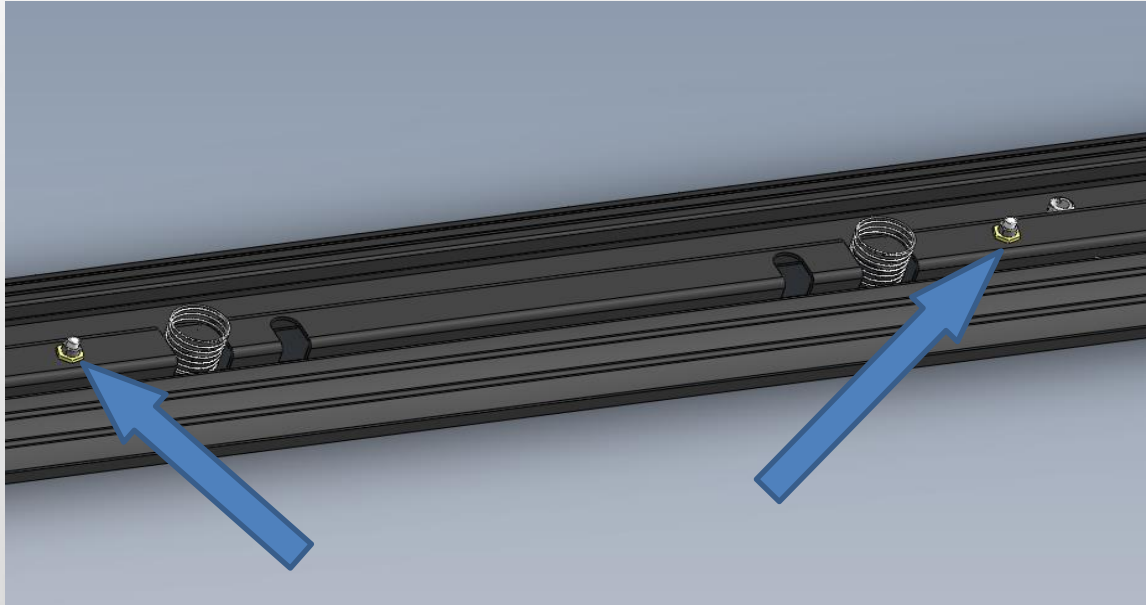


Graphic Options



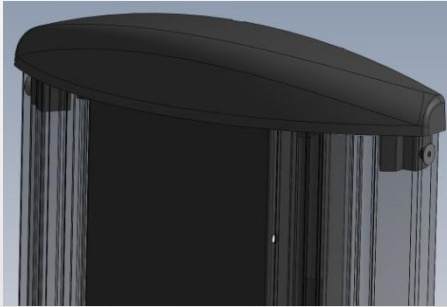
The widest selection of graphic options.
Refer to web site for options available on each switch model

Switch Activation



The only push plate that has (2) redundant UL listed internal switches with heavy duty 15 Amp. SPDT Form 'C' contacts.

Easy Installation



- End cap quickly removed for installation and service.
- No tools required to service Lazerpoint RF™ battery powered wireless transmitter.
- Threaded levelling screws for mounting on uneven wall surfaces.

Wireless Compatible

LAZERPOINT RF™

BY CAMDEN

Switch cap designed for optional 'snap-in'
CM-TX9 battery powered transmitter



'K' model switches supplied with (2) built in
no-battery wireless transmitters

Bollard (Post) Options



Only Camden Offers:

- Clear aluminum and dark bronze finish, perfectly matched to switch.
- 48" and 42" tall bollard models.
- Fully prepared bollards eliminate on-site cutting and drilling.

Additional Features

- Heavy duty, extruded aluminum construction designed for high traffic, outdoor, applications.
- Attractive and low profile contoured design with easy activation from all angles.
- No internal wires exposed to moving parts.
- More features and options than any other product on the market.
- 3 year warranty.
- Camden's exclusive 'Road Test' money-back guarantee takes the risk out of your first installation.



Thank you

