

CM-AF500
Illuminated Annunciator
Installation Instructions

PACKAGE CONTENTS

1	Faceplate with clear lens
1	Foam gasket
1	Bracket with LED board
2	#6 Nylon lock nuts
6	Label Inserts
2	#6-32 x 1" Tamperproof screws
2	#6-32 x 1" SS FLT HD screws
1	Tamperproof driver

Description

CAMDEN DOOR CONTROLS CM-AF500 Illuminated Annunciator is designed for industrial and commercial applications, where illuminated signage is required. The faceplate is Stainless Steel with a 1-3/8" Square Lens. The CM-AF500 can be fitted with 1 of 6 labels provided. This unit requires 12 VDC or 24 VDC to operate.

Application

Camden illuminated Annunciator is ideal for high traffic areas that require a visual indicator for an occupied or locked space such as a conference room, restroom or a secure area. It can be surface or flush mounted. Camden Illuminated Annunciator is designed to be controlled by electric locks, electro-magnetic locks, electric strikes, automatic doors, and low energy operators.

Wiring

Refer to the table for 12 VDC or 24 VDC power connections.

Wire Color	Connection
Red	12/24 VDC +/- 10%
Black	Common

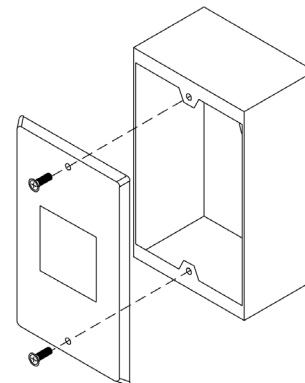
WARNING:

Do NOT apply power to the unit until all wiring
Do NOT apply A/C power. AC must be rectified.
(Use CX-5024)

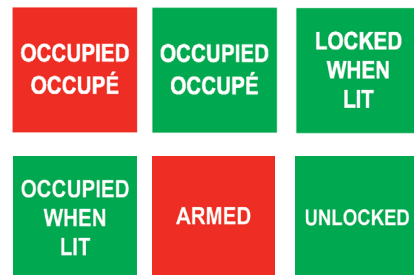


Installation

CM-AF500 is supplied with a stainless steel faceplate that can be easily mounted to a single gang electrical box. Only 9/18" depth is required!



Labels Included



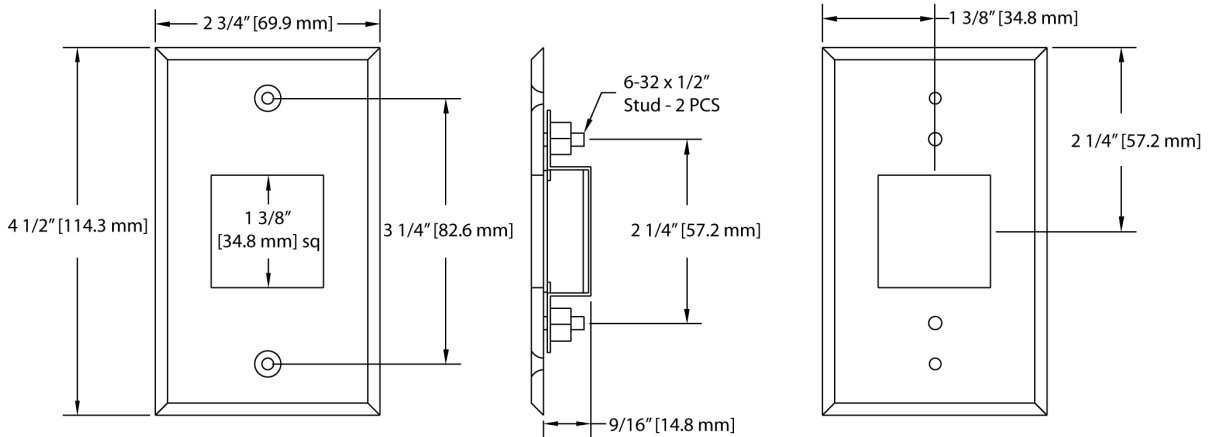
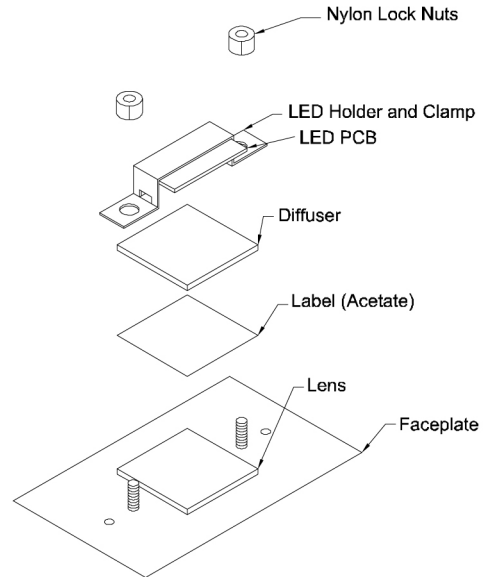
Installing Labels

1. Center the desired label over the plastic lens on the back of the faceplate.
2. Place diffuser plate over the label.
3. Place the LED assembly over the diffuser and label. The LED holder and clamp have two tabs to hold the label and diffuser in place. Be sure to line up the clamp so both tabs are holding down the assembly.
4. Install the nylon lock nuts. Tighten the nylon lock nuts until the diffuser and label assembly are clamped in place and cannot move.

WARNING:
Be careful not to over tighten the two nylon lock nuts as damage to the plastic diffuser may occur.

Custom Labels

Custom message inserts (color, text, graphic) available on request. Contact customer service for a free quotation.



Push Buttons



Keypads



Strikes



Magnetic Locks



Key Switches



Relays & Timers



Access Control



5502 Timberlea Blvd.,
Mississauga, ON Canada
L4W 2T7

www.camdencontrols.com
Toll Free: 1.877.226.3369



File: CM-AF500
Installation Instructions.indd R2
Revised: May 20,2014
Part No.: 40-82B147