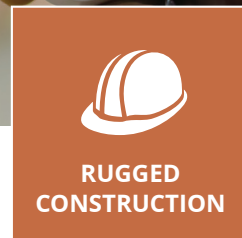


CV-WR Series Wiegand Receiver & Fobs



Camden's Wiegand receivers are designed to interface with existing access control systems for both long and short access applications.

Pressing one of the buttons, users can control a barrier gate or overhead door up to 300 ft. (100m) away. The same transmitter can be presented in front of a card reader and operate as a conventional access credential.

Identical 26-bit Wiegand ID numbers will be sent for either fob transmitters and for the enclosed credential for a card reader, to manage multiple users in the access control database.

One unique ID number per device per user simplifies the adding and deleting of credentials for property managers.

CV-WRX4 Receiver

- 4 channel receiver facilitates in/out control
- Compatible to all access control panels, 26 bit Wiegand
- Field selectable facility codes, 1 to 255
- Weather and vandal resistant enclosure

CV-WTX2 Two Button Fob

- Ultra Compact
- 2 year battery life and low battery indication
- Up to 300 feet (100 meter) range

CV-WTX2-H26 Two Button Fob

- Ultra compact, dual technology design enable both presentation and long range transmission with identical ID#.
- HID® 125 KHz. proximity protocol
- 2 year battery life and low battery indication
- Up to 300 feet (100 meter) range

CV-WTX2H-H26SE Two Button & CV-WTX4H-H26SE Four Button

- Dual Technology - HID@iClass SE® 13.56 MHz. to prevent cloning
- Laser etched ID numbers
- 300 feet (100 meter) range
- LED indicator for low battery and signal transmission
- Durable, weather resistant case with metal key ring

All transmitters use a 868Mhz. high security rolling code, 19 trillion combinations.



SPECIFICATIONS

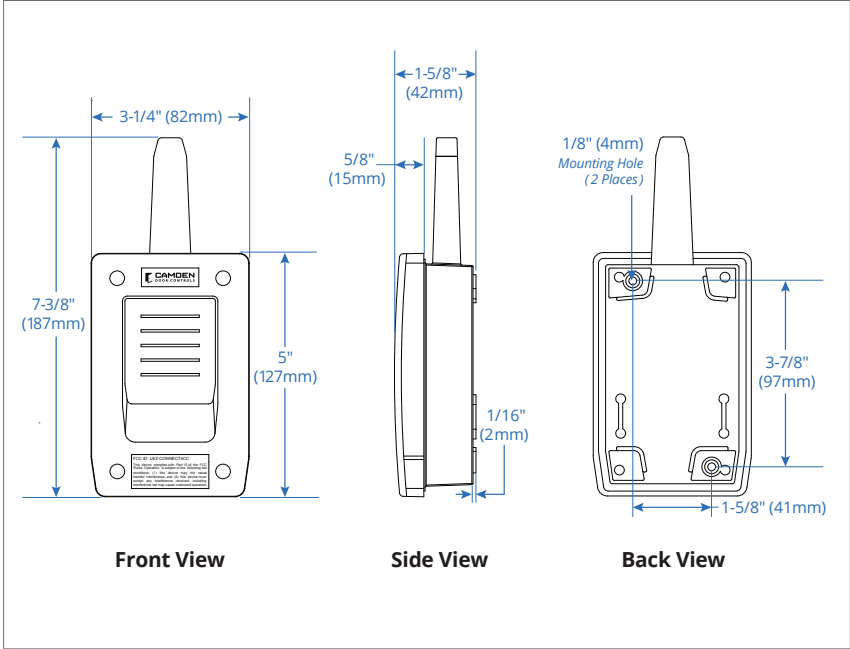
<p>INPUT VOLTAGE: CV-WRX4: 12 VDC All Transmitters: 3 VDC, CR2032 Type</p> <p>CURRENT: CV-WRX4: 14 mA typical / 36 mA peak All Transmitters: 12mA</p> <p>OPERATING TEMPERATURE: CV-WRX4: -4°F to 185°F (-20°C to 85°C) All Transmitters: -4°F to 131°F (-20°C to 55°C)</p> <p>FREQUENCY: 868.35 Mhz.</p> <p>IP RATING: CV-WRX4: IP54 (IP65 with cable plug installed)</p>	<p>DIMENSIONS: CV-WRX4: 3-1/4"W x 7-3/8"H x 1-5/8"D (82mm x 187mm x 42mm)</p> <p>CV-WTX2: 1-3/16"W x 2-1/8"H x 3/8"D (30mm x 54mm x 10mm)</p> <p>CV-WTX2-H26: 1-3/16"W x 2-1/8"H x 3/8"D (30mm x 54mm x 10mm)</p> <p>CV-WTX2H-H26SE: 1-1/2"W x 2-1/2"H x 1/2"D (36mm x 68mm x 14mm)</p> <p>CV-WTX4H-H26SE: 1-1/2"W x 2-1/2"H x 1/2"D (36mm x 68mm x 14mm)</p>
--	--

ORDERING INFORMATION

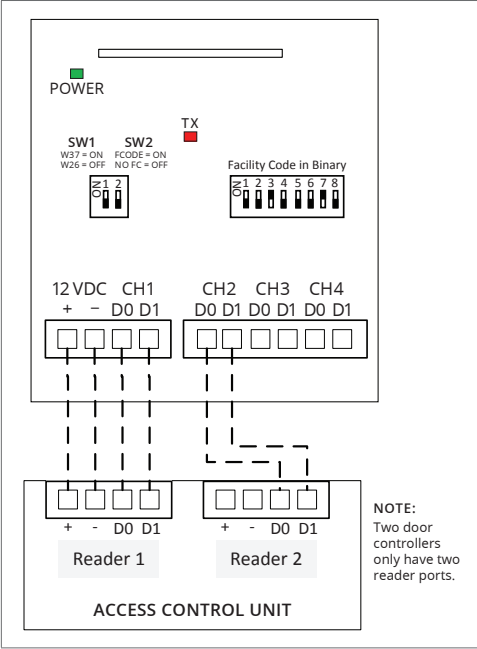
 <p>CV-WRX4 Four Channel Wiegand Receiver</p>	 <p>CV-WTX2-H26 Two Channel Wiegand Key Fob + HID® Prox</p>	 <p>CV-WTX2H-H26SE Two Channel Wiegand Key Fob + HID® iCLASS SE®</p>	 <p>CV-WTX4H-H26SE Four Channel Wiegand Key Fob + HID® iCLASS SE®</p>
<p>CV-WTX2-H26-B Two Channel Wiegand Key Fobs + HID® Prox Package of 10</p>		<p>CV-WTX2H-H26SE-B Two Channel Wiegand Key Fobs + HID® iCLASS SE® Package of 10</p>	

* Contact Camden for AWID proximity versions.

CV-WRX4 DIMENSIONS



TYPICAL VEHICLE ACCESS



CAMDEN DOOR CONTROLS Opening New Doors to Innovation, Quality, and Support!

5502 Timberlea Blvd. Mississauga, ON Canada L4W 2T7 • Toll Free: 1 877 226-3369 (CAMDEN9)
 Tel: (905) 366-3377 • Fax: (905) 366-3378 • E-mail: info@camdencontrols.com • www.camdencontrols.com



Part #: MKTG-LIT-SP-CV-WR_R3