

CX-DE502SO Remote Annunciator

INSTALLATION INSTRUCTIONS

THIS PACKAGE INCLUDES:

- (1) Foam Gasket
- (2) #6-32 1" SS FLT HD screws
- (2) #6-32 Tamperproof screws
- (1) Tamper proof driver

1. GENERAL DESCRIPTION

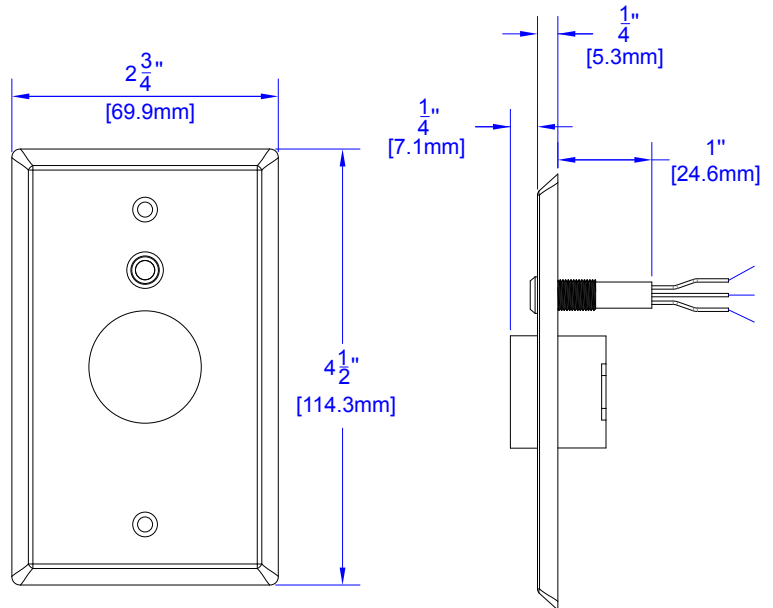
CAMDEN DOOR CONTROLS CX-DE502SO LED Sounder Annunciator is designed for industrial and commercial applications, where both audible and visual indication is required. The RGB LED is capable of visually displaying three distinct colors for designated states: red, green and yellow.

The faceplate is Stainless Steel with a piezo and tri-colour LED. This unit requires 12/24V AC/DC to operate.

2. APPLICATION

Camden LED Annunciator with sounder is ideal for applications that require a visual and audible indicator such as a remote annunciator station for delayed egress locks, emergency call or access control alarms. It can be surface or flush mounted. Camden LED Annunciator is designed to be controlled by delayed egress maglocks, automatic doors, emergency call systems and other low voltage systems.

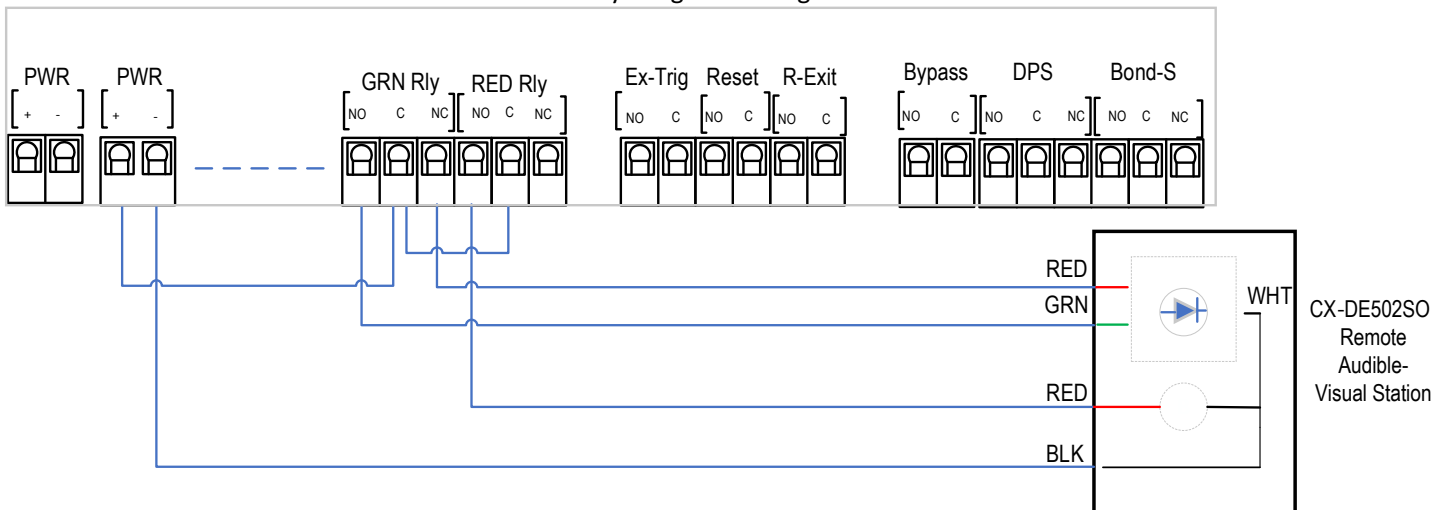
4. FRONT AND SIDE - CX-DE502SO



3. WIRING

Device	Wire Color	Connection
RGB LED	Red	+ 12 VDC
	Green	+12 VDC
	White	Negative
Sounder	Red	+ 12 VDC
	Black	Negative

CX-DE1200 Delayed Egress Wiring

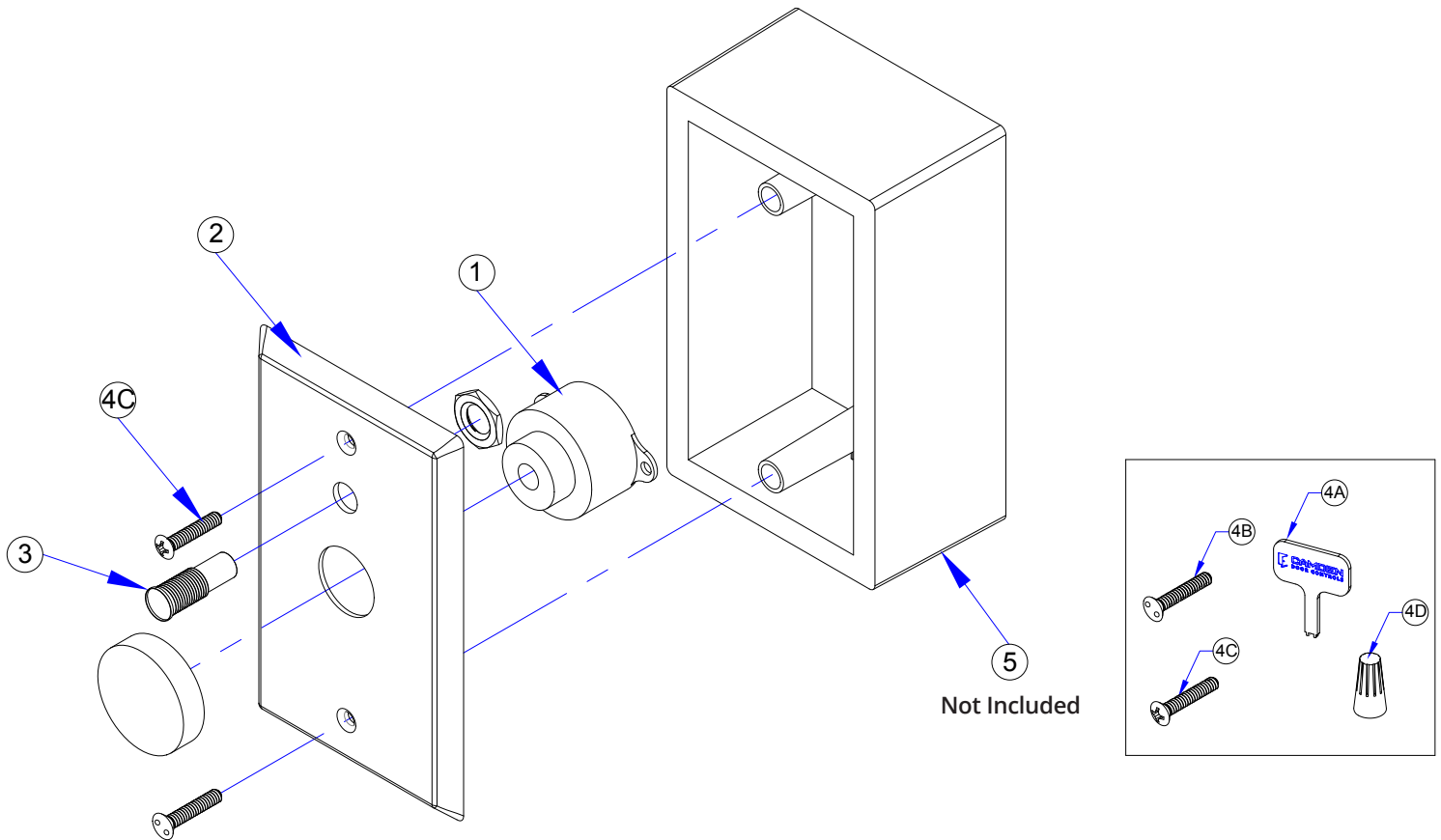


CX-DE502SO Remote Annunciator

INSTALLATION INSTRUCTIONS

CX-DE502SO is supplied with a stainless-steel faceplate that can be easily mounted to a single gang electrical box. Only 9/18" depth is required!

5. PARTS INFORMATION



MODEL NUMBERS			
ITEM NUMBER	MODEL NUMBER	QTY	DESCRIPTION
1	60-64A002	1	PIEZO ALERT BUZZER
2	60-49H038	1	STAINLESS STEEL SINGLE GANG FACEPLATE
3	60-73C019	1	12-VOLT TRI-COLOR LED
PARTS KIT			
ITEM NUMBER	PART NUMBER	QTY	DESCRIPTION
4.	60-34B042	1	(A) KEY FOR TAMPER PROOF SCREWS (SNAKE EYE) W/CAMDEN LOGO 1 Pc (B) SNAKE EYE TAMPER PROOF SCREW 6-32 X 3/4" 2 Pc (C) 6-32 X 3/4 PHIL OVAL HD S/S SCREW 2 Pc (D) GREY PLASTIC WIRE NUT C/W SPRING 5 Pc
COMPATIBLE MOUNTING BOXES			
ITEM NUMBER	PART NUMBER	DESCRIPTION	
5	CM-34D	SURFACE MOUNT BOX WITH EXTRA DEPTH HEAVY DUTY GREY POLYMER 4 1/2"H X 2 3/4"W X 1 3/4"D [114MM X 70MM X 44MM]	
	CM-34BL	SINGLE GANG BLACK ABS BOX, SURFACE MOUNT 4 5/8"H X 2 7/8" W X 1 3/4"D (117MM X 73MM X 44MM)	
	CM-34AL	SURFACE MOUNT BOX WITH STANDARD DEPTH AND THREADED CONDUIT ENTRY. HEAVY DUTY CAST ALUMINUM 2-3/4"H X 4-1/2"W X 1-3/4"D [70MM X 144MM X 44MM]	