

Package Contents

- (1) Piezo Switch assembly
- (1) Rubber gasket
- (2) #6-32 x 3/4" Phillips screws

Section 1 _____

General Description

Camden Heavy-Duty CM-9200 & 9300 series consist of stainless steel face plate construction with a separate all aluminum non-moving Piezo actuator.

Camden Heavy-Duty CM-9700 series is a one piece all aluminum construction with a non-moving Piezo actuator. These series of switches are impervious to most types of vandal attack.

The switches do not require power to operate and can be operated while wearing gloves. The switch is a N/O operation with a typical 1/4 second closure duration.

Section 2 _____

Installation

Mounting

1. The switch is integral to the housing. Only the wiring need be done (see next section).
2. Once the electrical connections are completed, attach the unit to the switch wall, using the supplied tamper-proof, or stainless steel Phillips screws. For outdoor use, place the rubber weatherproofing gasket behind the faceplate prior to securing to the back box or wall.

Section 3 _____

Specifications

MECHANICAL

OPERATING TEMP: - 40F to +180F (- 40C TO + 82C)

WEATHERPROOF RATING: IP68

ELECTRICAL

VOLTAGE RATING: 0 - 40V DC

CURRENT RATING: 200 MA typical
400 MA maximum

CONTACT CLOSURE: 1/4 second

RESISTANCE: 'ON' Less than 50 OHMS

'OFF' Greater than 5 MEG OHMS

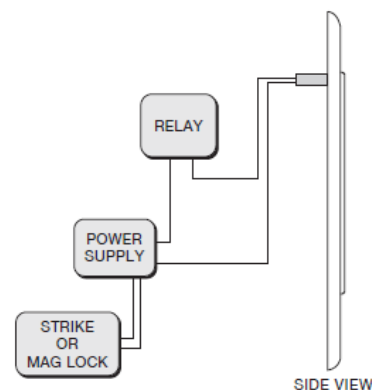
SWITCH LIFE: More than 20 million operations

Wiring to 'Low Load' Devices

Switch can be directly connected to automatic door operators or access control systems.

Wiring to 'High Load' Devices

Switch not intended to be connected to devices such as electric strikes or magnetic locks. A relay is required. See below.



Push Buttons



Key Pads



Strikes



Magnetic Locks



Key Switches



Relays & Timers



Access Control