

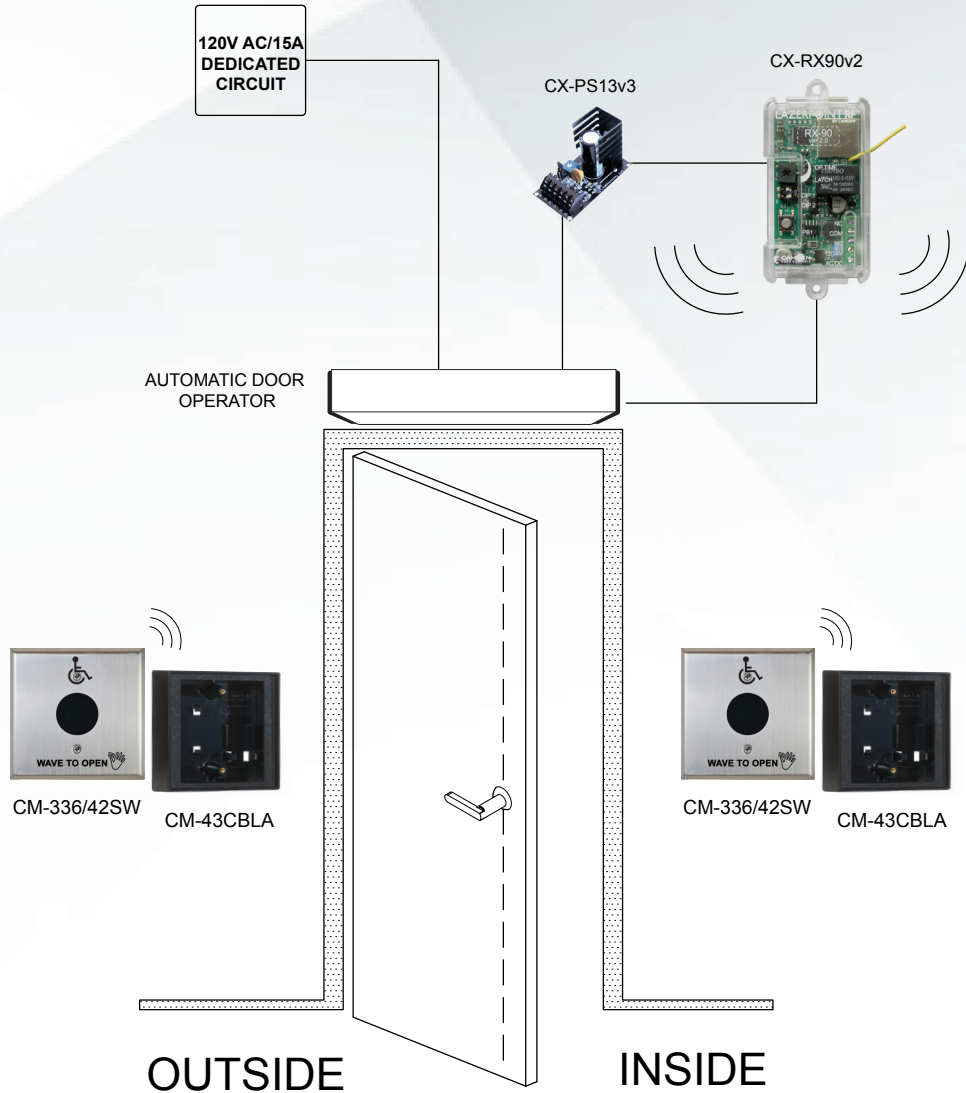


AUTOMATIC DOORS (ADA)

File No. | 1.2.2.6

# Single Door

## Surewave™ Battery Powered Wireless Activation



### Battery Powered Wireless and Touchless Activation

This SureWave™ wireless ADA-compliant application utilizes hands-free activation of a 'low energy' automatic door operator. The wireless transmitter is built into the switch, which avoids the cost of installing a separate transmitter and the need to hard switches to the receiver.

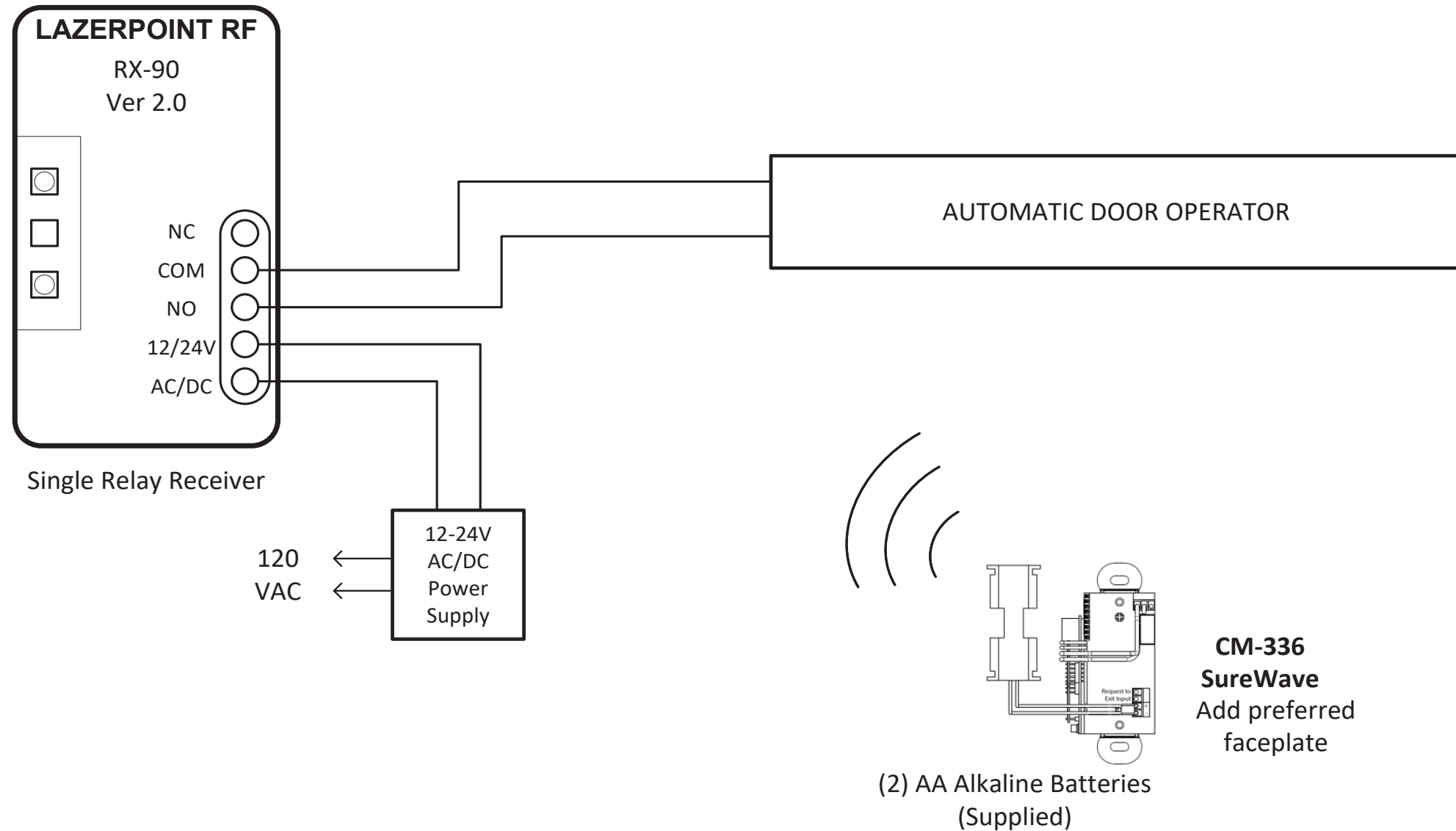
### FEATURES

- Multi-year battery life using common Alkaline batteries
- Low battery alarm
- 3 year warranty



Opening New Doors to Innovation, Quality, and Support!

1.877.226.3369 / 905.366.3377 • [www.camdencontrols.com](http://www.camdencontrols.com)



**SPECIFICATIONS**

SYSTEM TYPE: AUTOMATIC DOORS (ADA)
APPLICATION TYPE: SINGLE DOOR
PROJECT SCOPE: SUREWAVE™ BATTERY POWERED WIRELESS ACTIVATION



**Automatic  
Doors (ADA)**



# Automatic Doors (ADA)

Single Door

Surewave™ Battery Powered Wireless Activation

## Surewave™ Switch Kit: CM-SK336/42SW



CM-336/42SW

### Battery Powered Touchless Switches

- Flush or Surface Mount
- ADA Compliant
- Optional Architectural Finishes



CM-43CBLA

### Surface Mounting Box

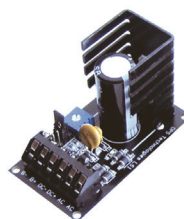
- Flame/Impact Resistant



CX-RX-90

### Wireless Receiver

- Compatible with both Lazerpoint™ and Kinetic™ Wireless Systems, Switch Selectable
- 1 Relay



CX-PS13v3

### Variable Output Linear Power Supply

- Compact on Board Design
- Selectable 6, 12, 24VDC or 2-24VDC