

CM-700 Series 'Universal' Blue Pull Stations



CM-700 Series 'Universal' Blue Pull Stations meet the stringent demands of emergency pull station controls.

They are designed for single gang mounting and protrude only 3/4" from the wall. Pull stations are easily reset with a small screwdriver.

Ideal for door release and emergency exit door applications.

Not rated for fire alarm applications.

Features

- Ideal for use with magnetic locks in access control applications
- Heavy duty vandal resistant design
- English, French and Spanish versions
- Available with N/O, N/C, or both N/O and N/C switches
- Convenient wiring terminal
- Standard single gang mount
- Optional built-in local alarm sounder
- Optional clear lift cover
- 3 year warranty





SPECIFICATIONS

CONTACT RATING: 1A @ 30 VDC	MOUNTING: Single gang electrical box	DIMENSIONS: 4-1/2" W x 3-1/4" H x 1-3/8" D (114mm x 82mm x 35mm)
CONSTRUCTION: Extruded Aluminum	SOUNDER: 85dB @ 4" (10cm) 40mA @12 VDC	

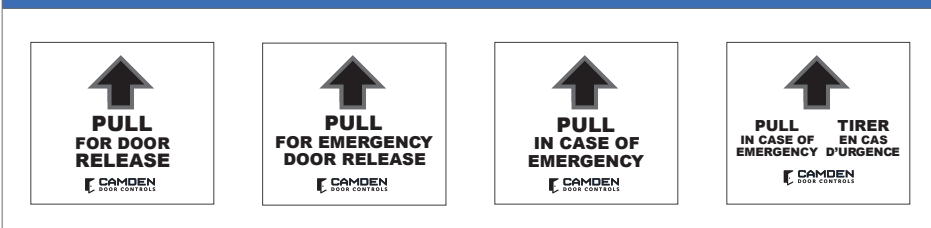
MODELS

'UNIVERSAL' BLUE PULL STATIONS

CM-701U	(1) x N/C, 'Universal' Labels Include: (1) 'Pull for Door Release', (1) 'Pull for Emergency Door Release', (1) English and (1) French/English Bilingual 'Pull in Case of Emergency. Add suffix 'SP' to model number for Spanish label.
CM-702U	(2) x N/C, 'Universal' Labels Include: (1) 'Pull for Door Release', (1) 'Pull for Emergency Door Release', (1) English and (1) French/English Bilingual 'Pull in Case of Emergency. Add suffix 'SP' to model number for Spanish label.
CM-703U	(1) N/C + N/O, 'Universal' Labels Include: (1) 'Pull for Door Release', (1) 'Pull for Emergency Door Release', (1) English and (1) French/English Bilingual 'Pull in Case of Emergency. Add suffix 'SP' to model number for Spanish label.
BLUE PULL STATION WITH ALARM	
 CM-701SO	(1) N/C, 'Pull for Door Release', with local alarm sounder
COVER OPTION	
	CM-XXX-PC For Clear Lift Cover, add suffix 'PC'

Note: Switch configurations indicated are when the pull station is closed/reset. When pull stations are released, switch contacts will be the opposite of those indicated.

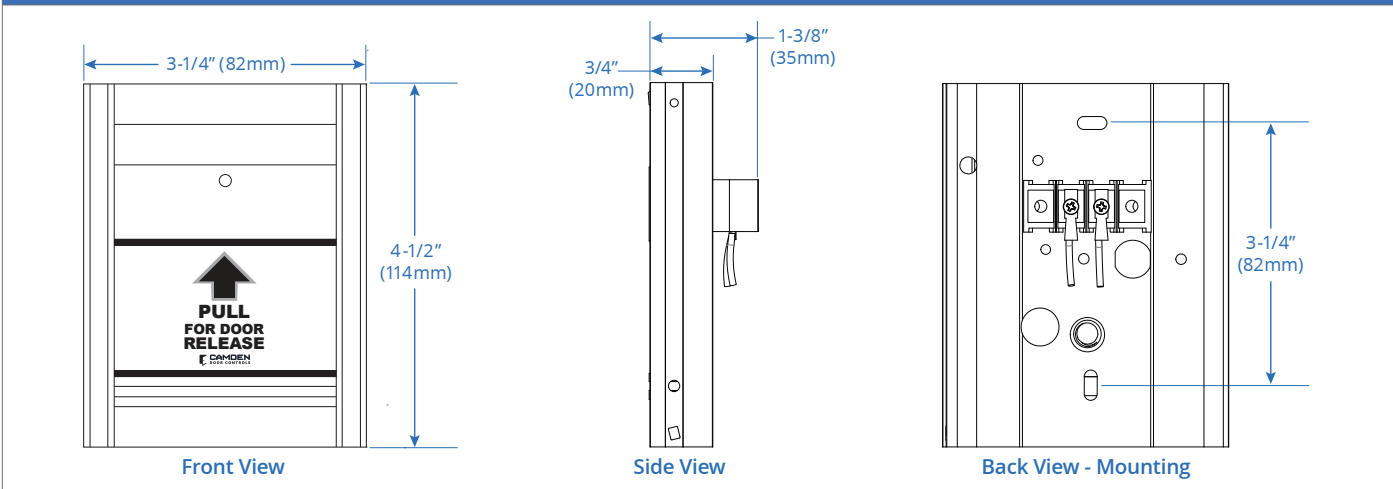
'UNIVERSAL' LABELS INCLUDED



OPTIONAL SPANISH LABEL



DIMENSIONS



CAMDEN DOOR CONTROLS **Opening New Doors to Innovation, Quality and Support!**

5502 Timberlea Blvd. Mississauga, ON Canada L4W 2T7 • Toll Free: 1 877 226-3369 (CAMDEN9)
Tel: (905) 366-3377 • Fax: (905) 366-3378 • E-mail: info@camdencontrols.com • www.camdencontrols.com



Part #: MKTG-LIT-SP-700-R3