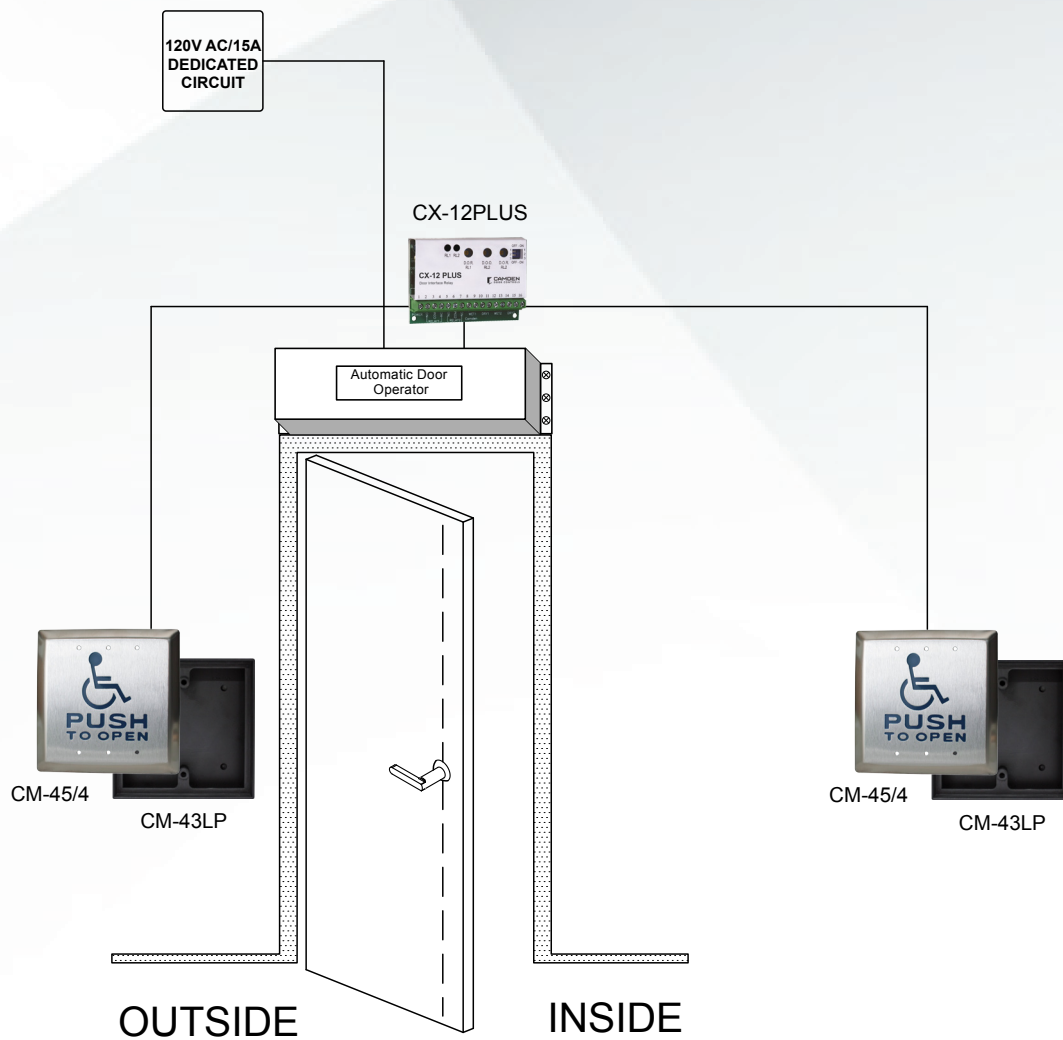




AUTOMATIC DOORS (ADA)

File No. | 1.2.1.1

Single Door Wired System



Basic Wired System

This is a wired ADA-compliant 'low energy' automatic door application commonly used on interior and exterior doors. If the door is manually locked, the activation of the switches is enabled by a door operator 'on/off' control switch or a separate 7-day timer (not shown).

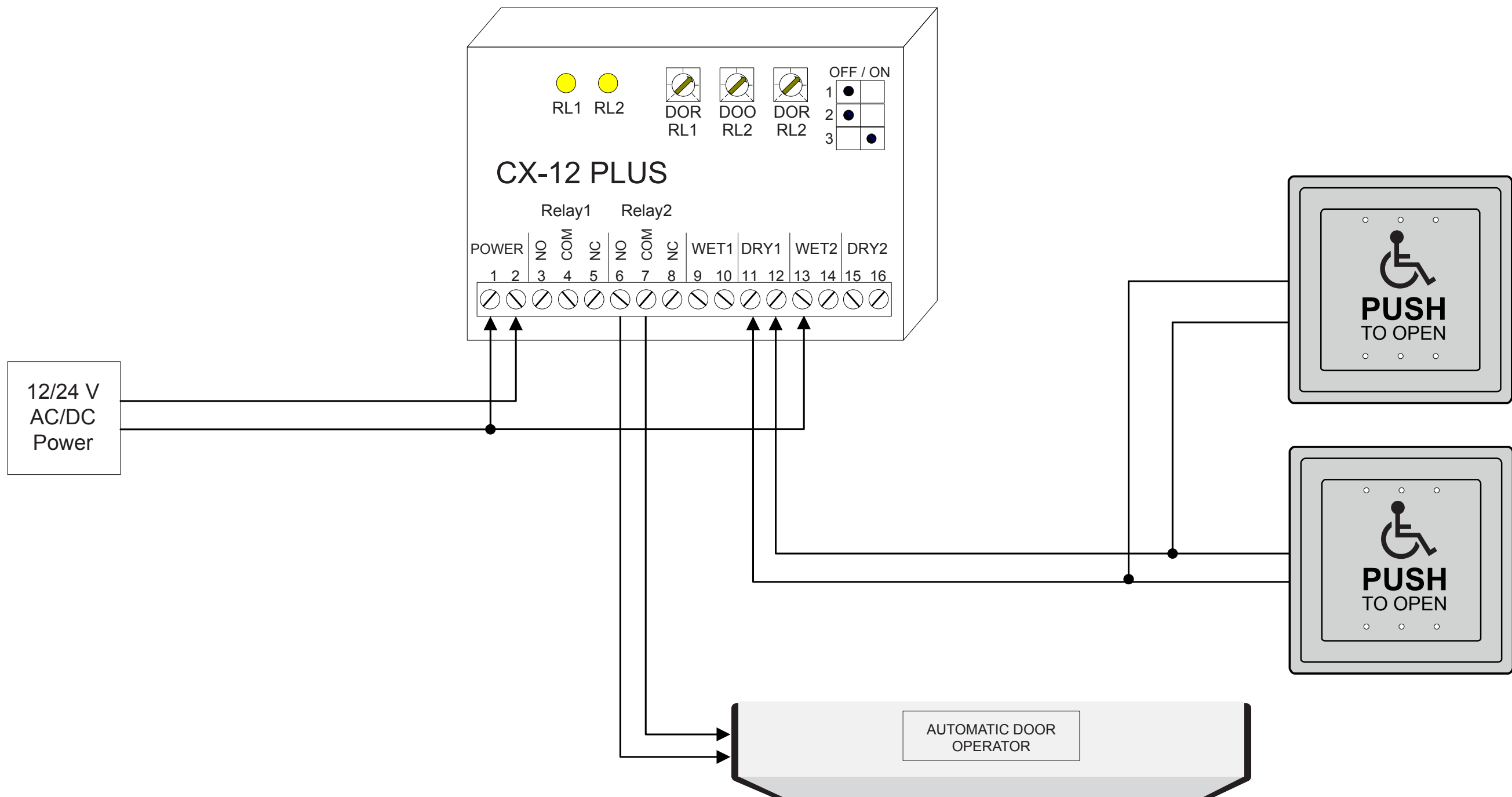
FEATURES

- A complete solution with a high-quality switch and relay control
- Separate relay control avoids costly ADO repairs
- 3 year warranty



Opening New Doors to Innovation, Quality, and Support!

1.877.226.3369 / 905.366.3377 • www.camdencontrols.com



SPECIFICATIONS

SYSTEM TYPE: AUTOMATIC DOORS (ADA)
APPLICATION TYPE: SINGLE DOOR
PROJECT SCOPE: WIRED SYSTEM

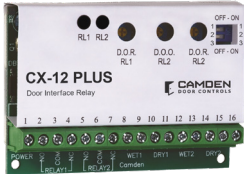


**Automatic
Doors (ADA)**



Automatic Door (ADA)

Single Door
Wired



CX-12PLUS

Wireless Receiver

- 8 Programming Modes
- Momentary, maintained and latching



CM-45/4

4-1/2" Push to Open Push Plate

- Flush or Surface Mount
- ADA Compliant
- Optional Architectural Finishes



CM-43LP

Mounting Box

- Shallow Depth (1-3/8")
- Flame/Impact Resistant ABS