

CM-AF501SO Illuminated Annunciator with Sounder

Installation Instructions

PACKAGE CONTENTS

1	Foam gasket
2	#6-32 x 1" Tamperproof screws
2	#6-32 x 1" SS FLT HD screws
1	Tamperproof driver

Description

CAMDEN DOOR CONTROLS CM-AF501SO Illuminated Annunciator is designed for industrial and commercial applications, where illuminated signage and an audible indicator is required. The volume control allows you to adjust sounder output. The faceplate is Stainless Steel with a 1-3/8" Square Lens. This unit requires 12/24V AC/DC to operate.

Application

Camden illuminated Annunciator with sounder is ideal for areas that require a visual and audible indicator with emergency assistance has been requested such as restrooms or hospital rooms. It can be surface or flush mounted. Camden Illuminated Annunciator is designed to be controlled by electric locks, electro-magnetic locks, electric strikes, automatic doors, and low energy operators.

Wiring

Refer to the table for power connections.

Wire Color	Connection
Black	12/24V AC/DC +/- 10%
Black	Common

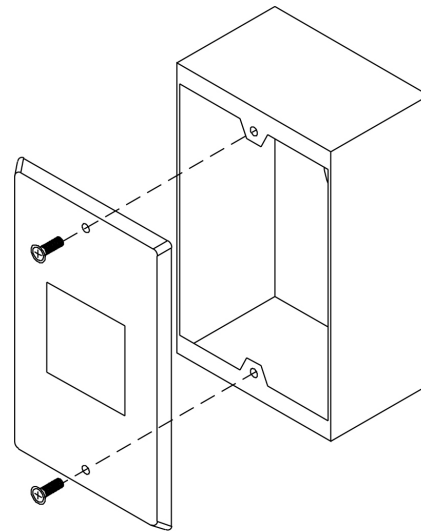
WARNING:

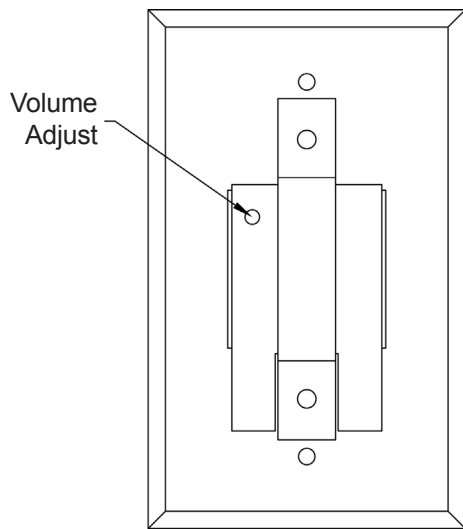
Do NOT apply power to the unit until all wiring



Installation

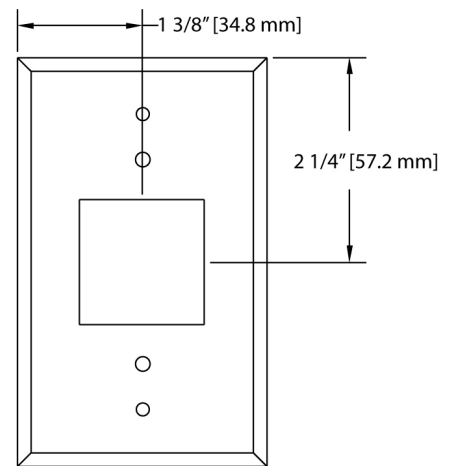
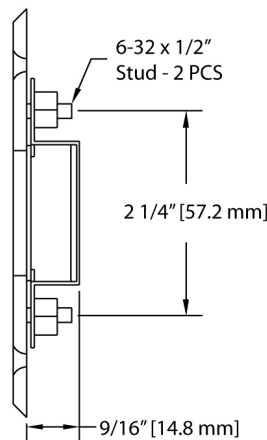
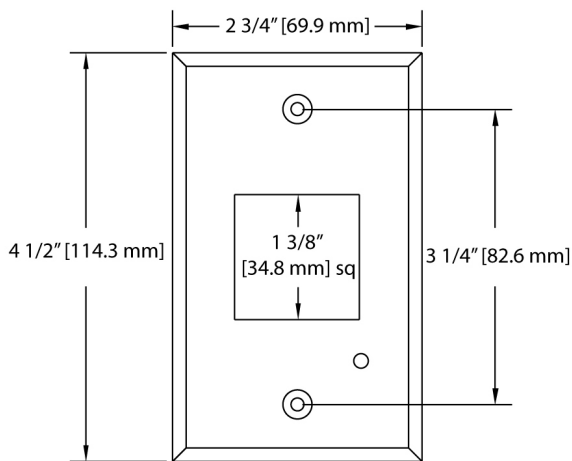
CM-AF501SO is supplied with a stainless steel faceplate that can be easily mounted to a single gang electrical box. Only 9/18" depth is required!





Volume Adjust

Turn the volume adjust clockwise to increase the volume and counter clockwise to decrease the volume. Turn the volume adjust all the way counter clockwise to turn the sounder completely off.



Push Buttons



Keypads



Strikes



Magnetic Locks



Key Switches



Relays & Timers



Access Control



5502 Timberlea Blvd.,
Mississauga, ON Canada
L4W 2T7

www.camdencontrols.com
Toll Free: 1.877.226.3369



File: CM-AF501SO
Installation Instructions.indd R2
Revised: May 12,2016
Part No.: 40-82B168