



5502 Timberlea Blvd.
 Mississauga, Ontario L4W 2T7
 905-366-3377 Toll Free: 877-226-3369
 www.camdencontrols.com

CX-91M-06 Installation Instructions

Model	Description	Features	Current Draw
CX-91M-06	Single	Basic	480mA @ 12V
CX-91M-06TDS	Single	adj. timer, door position switch & bond sensor	240mA @ 24V

SHOCK HAZARD. Care must be taken to keep the power supply and wiring isolated from ground (earth). Use of an ohmmeter to test for shorts is recommended prior to service.

A. 12V DC Input:

Set jumpers for 12V DC operation. (See diagram below)
 Connect the ground (-) lead from a 12V DC power source to terminal 2.
 Connect the positive (+) lead from a 12V DC power source to terminal 1.

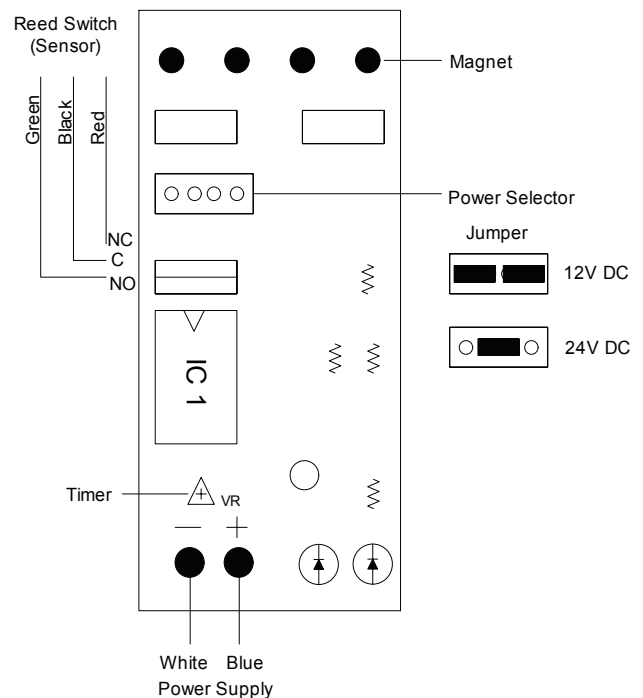
B. 24V DC Input:

Unit is delivered from Factory with single jumper ON for 24V operation.
 Connect the ground (-) lead from a 24V DC power source to terminal 2.
 Connect the positive (+) lead from a 24V DC power source to terminal.

C. Contacts:

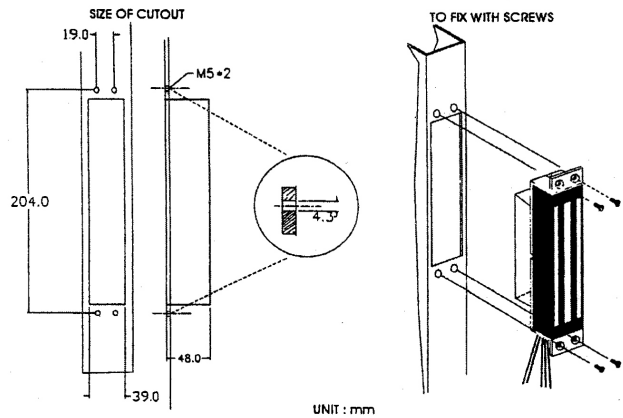
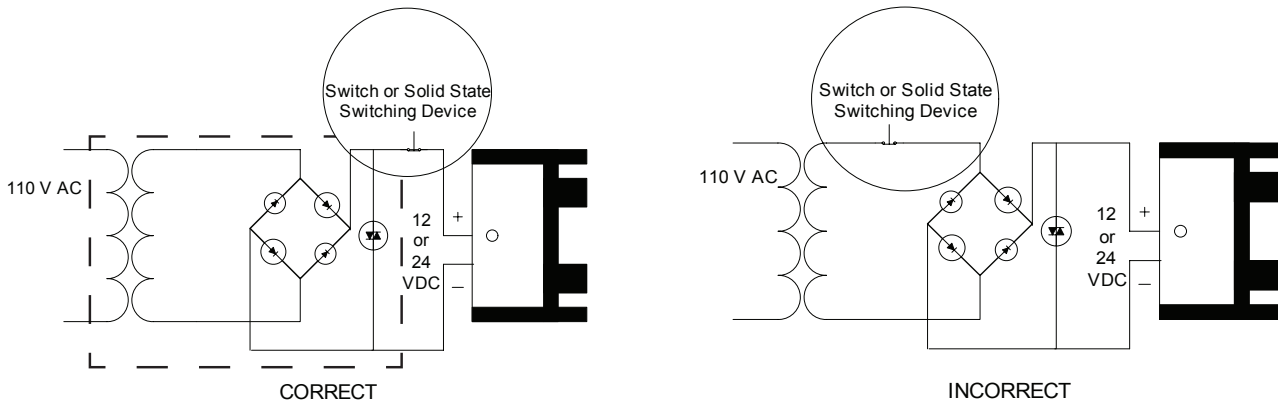
Reed switch dry contacts are rated 0.5 Amp@30V DC/AC. For safe operation, do not exceed this rating.
 If you normally require a normally open contact, connect to the black and green wire of the PCB.
 If you normally require a normally closed contact, connect to the black and red wire of the PCB.

**Printed Circuit Board
 Schematic**
 (shown with all options)

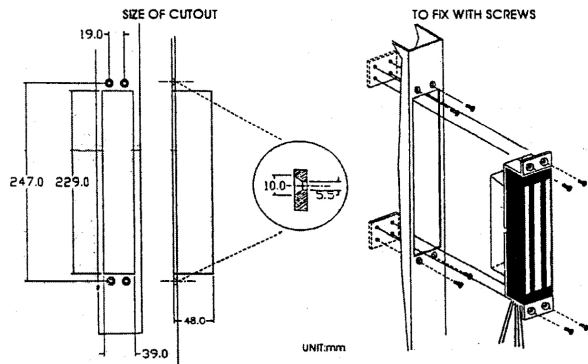


Important

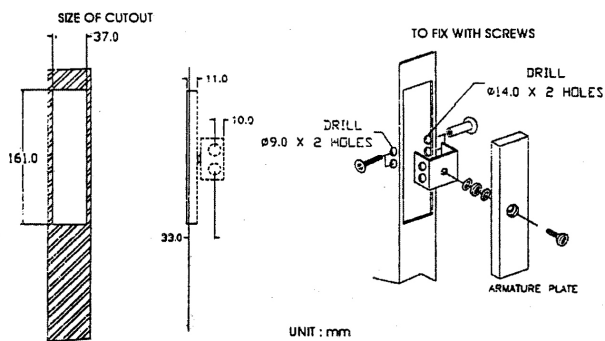
Power switch should always be wired as shown below in order to minimize the effect of residual magnetism. Contact Camden for other wiring considerations.



Magnet installed in Sliding Door *without* Mounting Plate



Magnet installed in Sliding Door *with* Mounting Plates



Armature Plate installed in Sliding Door panel

Questions?
Call 1-877-226-3369
for technical assistance

Filename: CX-91M-06
Instructions.doc
Modified: 10/15/01 2:35 PM