

Electrified Locks, Relays and Timers

# CX-ED1410/CX-ED1420

## 'ANSI' Fire Rated Electric Strike

### INSTALLATION INSTRUCTIONS

#### THIS PACKAGE INCLUDES:

- 1 - 4 PIN power connector (12V)
- 1 - 4 PIN power connector (24V)
- 4 - Wire Nuts
- 2 - #10 x 1/4" Wood Screws
- 4 - #12-24 X 1/2 Screws
- 2 - Mounting Brackets
- 1- Varistor
- 1 - Dress Plate



### 1. GENERAL DESCRIPTION

Camden CX-ED1410 is a standard depth Grade 1 ANSI Strike, and CX-ED1420 is a low profile Grade 1 ANSI Strike for cylindrical locksets with stainless steel faceplates. The 'ANSI' fire strikes are built with field selectable voltage and FAIL SAFE/FAIL SECURE operation.

**Note:** Fire rating is applicable only while in FAIL SECURE mode.

### 3. DIMENSIONS

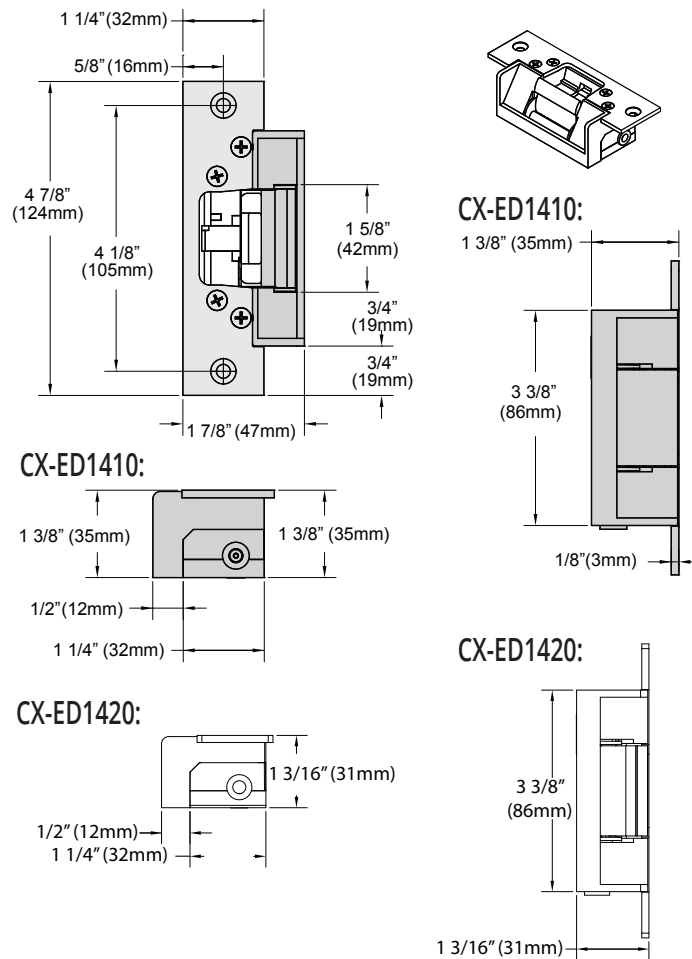


Figure 3.1 Dimensions

### 2. SPECIFICATIONS

<b>Voltage</b>	12/24V AC/DC
<b>Current Draw</b>	260mA@12V DC 150mA@24V DC
<b>Static Strength</b>	1,500 Lbs.
<b>Dynamic Strength</b>	70 Ft-Lbs.
<b>Endurance</b>	1,000,000 Cycles (Factory Tested) 250,000 Cycles (UL Verified)
<b>Fire Rating</b>	90 minutes (UL verified)
<b>Latch Projection</b>	CX-ED1410: 5/8" - 3/4" (16mm - 19mm) CX-ED1420: 1/2" - 5/8" (12mm - 16mm)
<b>Mode</b>	Field Selectable Fail Safe/Fail Secure
<b>Operation</b>	AC-Buzz, DC-Silent
<b>Duty</b>	Continuous
<b>Dimensions (Body)</b>	CX-ED1410: 3-3/8" H x 1-7/8" W x 1-3/8" D (86mm x 47mm x 35mm) CX-ED1420: 3-3/8" H x 1-7/8" W x 1-3/16" D (86mm x 47mm x 31mm)

#### UL 294 Performance Levels

- Line Security = Level I
- Attack Level = Level I
- Endurance Level = Level IV
- Standby Power = Level I

**NOTES:**

The products are intended to be installed in accordance with the installation wiring diagram, mechanical assembly drawings provided with each product, the local authority having jurisdiction (AHJ) and the National Electric Code, NFPA 70. When installed in fail secure mode, the local authority shall be consulted with regard to the use of possible panic hardware to allow emergency exit from the secure area.

The electric door strike shall be installed in such a way and in such a location so as to not impair the operation of an emergency exit device or panic hardware mounted on the door.

**4. INSTALLATION**

**Option 1 Hollow Metal Frame Installation (Figure 4.1 & 4.2)**

1. Locate the position of the electric strike, align it with the latch on the door, and mark the outline for the cutout.
2. Cut out the mortise in the jamb along the marked outline. The electric strike and its specified depth must fit into the cutout.
3. Drill two holes for the mounting brackets using a 1/4" drill bit.
4. Install the two mounting brackets to the jamb with the #12 - 24 x 1/2" screws. Do not tighten.
5. Test mount the electric strike to check how it fits.
6. Connect the low voltage wire from the transformer (power supply) to the black wire from the electric strike.  
 (See **Section 5 CONNECTIONS**)
7. Install the electric strike onto the mounting brackets with the #12 - 24 x 1/2" machine screws.
8. Tighten the #12 - 24 x 1/2" screws on the mounting brackets.

**Hollow Metal Frame (CX-ED1410)**

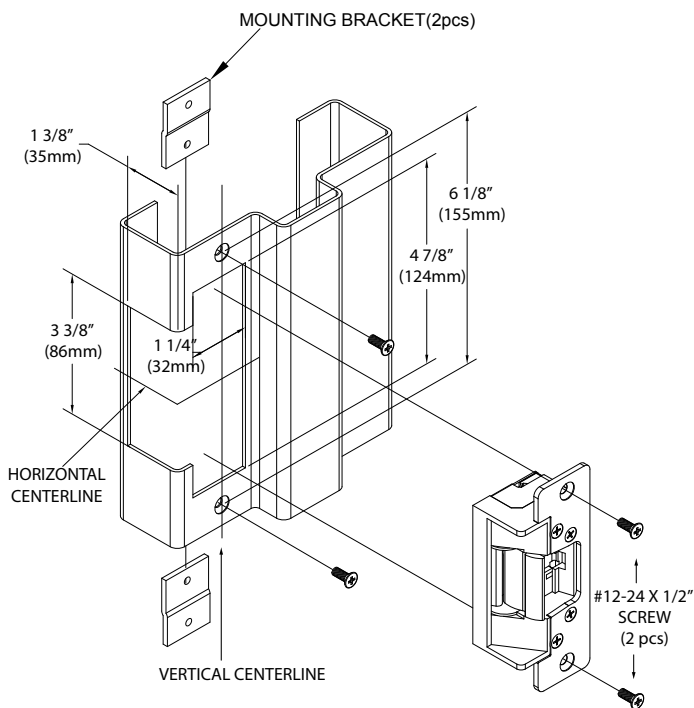


Figure 4.1 Hollow Metal Frame Installation (CX-ED1410)

**Hollow Metal Frame (CX-ED1420)**

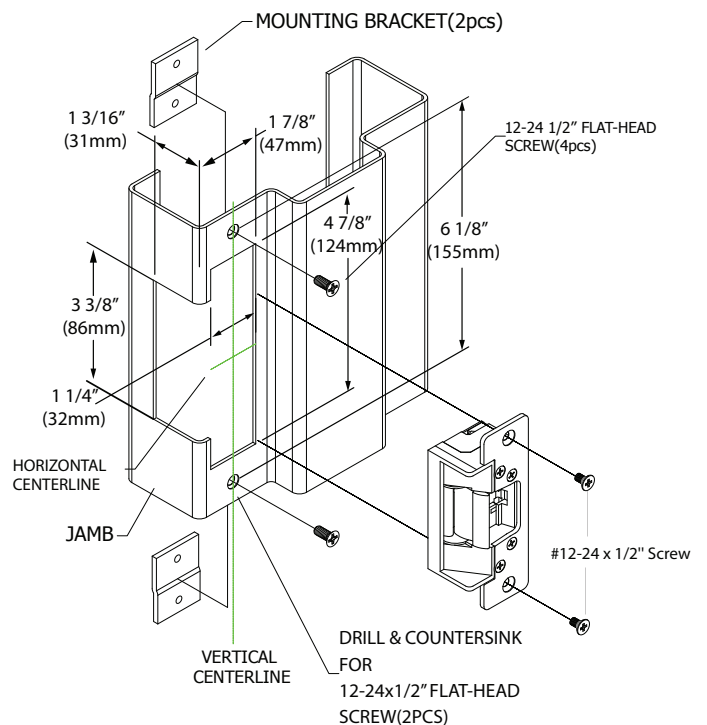


Figure 4.2 Hollow Metal Frame Installation (CX-ED1420)

**Option 2 ANSI Frame Installation (Figure 4.3 & 4.4)**

9. Test mount the electric strike to check the mortise fitting.
10. Connect the low voltage wire from the transformer to the black wire from the electric strike. (See **Section 5 CONNECTIONS**)
11. Install the electric strike with the supplied #12 - 24 x 1/2" machine screws.

**Notes:**

- If the ANSI Frame jamb/gate does not match the electric strike size, refer to Steps 3 to 8 and Figure 4.1 or 4.2 to cut the jamb if applicable.
- For a wooden jamb, drill holes using #21 drill bit (0.1590") for the supplied #10 - 1 x 1/4" screws for mounting.

**ANSI Frame (CX-ED1410)**

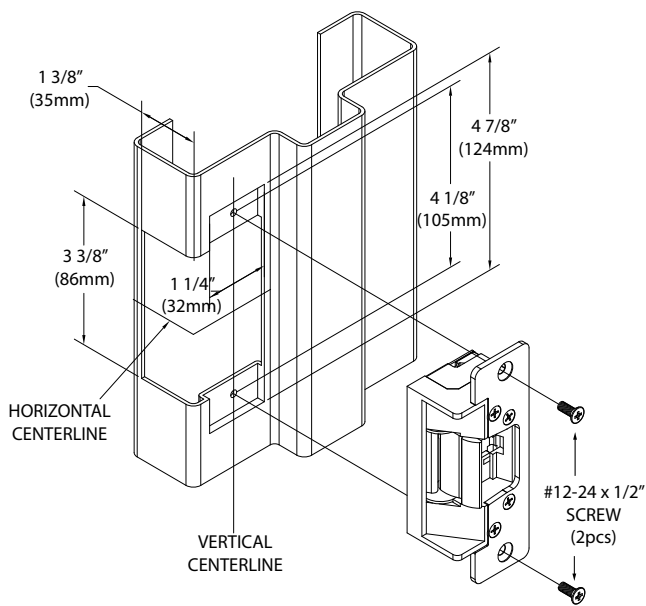


Figure 4.3 ANSI Frame Installation (CX-ED1410)

**ANSI Frame (CX-ED1420)**

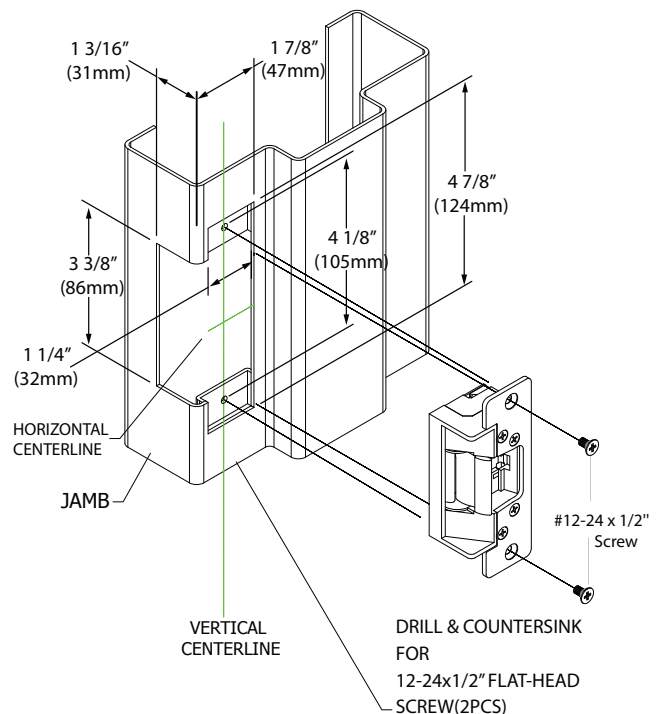
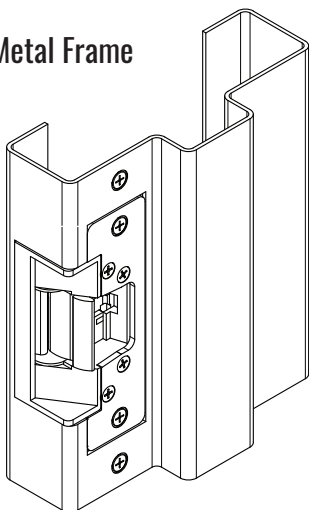


Figure 4.4 ANSI Frame Installation (CX-ED1420)

**Hollow Metal Frame**



**ANSI Frame**

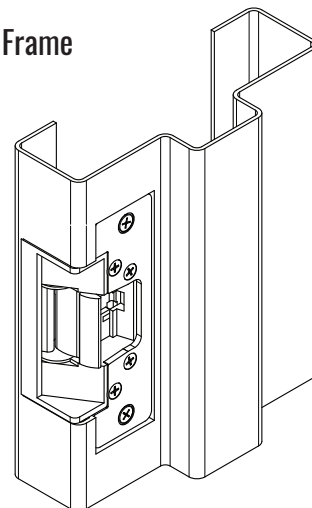


Figure 4.5 Installed

## 5. CONNECTIONS

1. Verify and select the voltage to match the power source.
2. Connect the supplied Varistor between the input wires. A Varistor is provided to protect the strike from voltage spikes. The Varistor connection varies based on the input voltage. Please see the table below for reference. (See Figure 5.1 Wiring)

### POWER

12V AC/DC	24V AC/DC
Red/Black: +12V	Red: +24V
Blue/Green: Ground	Black/Blue: -
	Green: Ground

**NOTE:** For UL 294 / UL 1034 compliance, the door strikes are to be powered via a UL 294 / UL 603 Class 2 power limited output from a control panel and or power supply. Furthermore, when powered by AC/DC, the units shall use a UL regulated UL 294 / UL 603 power limited Class 2 output rated 12/24V with AC On indicator.

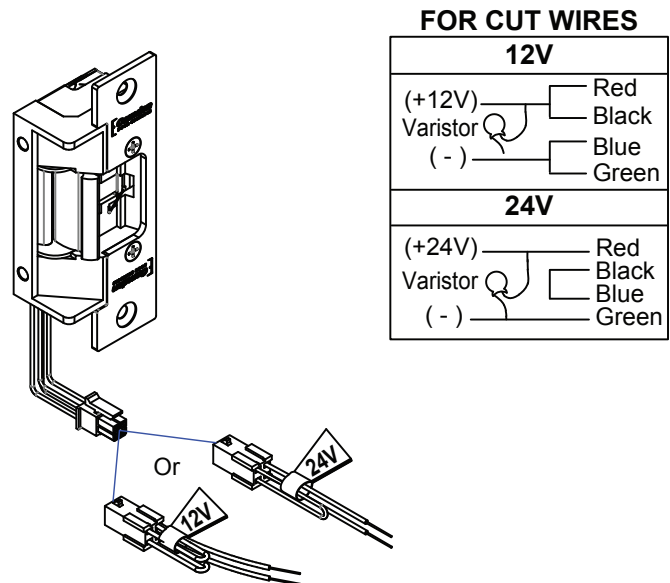


Figure 5.1 Wiring

## 6. OPERATION

The CX-ED1410 and CX-ED1420 can be set to operate in FAIL SECURE mode (Default) or FAIL SAFE mode. (See Figure 6.1 Operation)

How to change operation mode from FAIL SECURE to FAIL SAFE or vice versa:

1. Loosen the mode screw.
2. Rotate the set plate 180° and slide the plate until it is properly seated.
3. Tighten the screw.

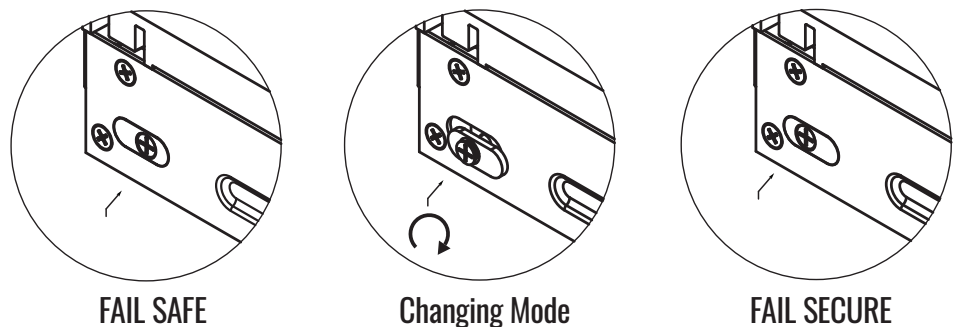


Figure 6.1 Operation