

Electrified Locks, Relays and Timers

CX-DESPK15-54I and CX-DESPK15-55I External 15 Watt Speaker Station

INSTALLATION INSTRUCTIONS



THIS PACKAGE INCLUDES:

- 1 - Speaker Assembly
- 1 - Mounting Box Assembly
- 1 - Translucent/Black Trim
- 1 - Parts Kit

1. GENERAL DESCRIPTION

Camden Door Controls CX-DESPK15 15-watt speaker station is designed for industrial and commercial applications, where both audio and visual indication is required. The 15-watt speaker can provide amplified audio messages where ambient noise may be present.

Note: only 12 VDC is provided for the amplified 15-watt speaker station.

Camden Aura™ PCB provides an added benefit of an illuminated enclosure. It offers field selectable red/green/blue illumination, activated directly by the switch or remotely by a relay* such as our CX-33 or EMF-2, a time-clock or access control system. User selectable features include a 3 Amp Form 'C' relay, and piezo for audible annunciation, as well as control over the idle and active LED colors. Another exclusive is the ability to plug in a TX-9 RF transmitter, thereby requiring only 2 conductors be run for power (no batteries required). The box is made of impact and flame-resistant black ABS. The illumination is provided by an array of super-bright and energy efficient LED's, which can be powered by 12 or 24 volts AC/DC.

2. APPLICATION

Camden remote speaker station is ideal for applications that require a visual and audio capabilities such as a remote speaker station for delayed egress locks, door chimes or paging systems. It can be surface (CX-DESPK15-54i) or flush mounted(CX-DESPK15-55i). Camden remote speaker station is designed to be wired to delayed egress maglocks, door chimes and other low voltage systems..

3. SPECIFICATIONS

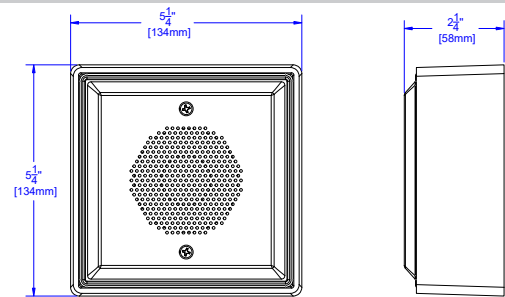
Voltage	8-24V DC, 5mA
Maximum Audio	15 Watt (82dB at 3 feet (0.9 m))
Output Impedance	8Ω

Aura™ PCB

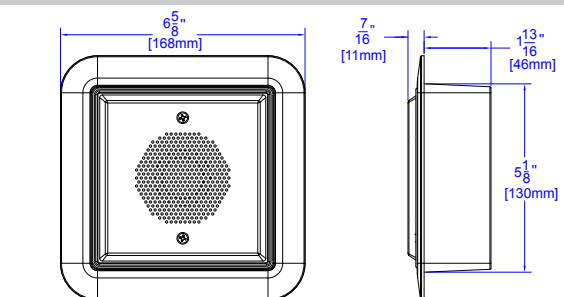
Voltage	12V or 24V AC/DC
Output Voltage	3 Volts DC for TX-9 (only)
Current Draw	250 mA @ 12V DC/110 mA @ 24V DC
Contact Rating	3A @ 30V DC
Lumina Red	14.8 lumens, 1600mW

Lumina Green	3.8 lumens, 330mW
Sounder	3200 ± 300Hz @ 85 dB
Relay Contact	1 x Form C

4. FRONT AND SIDE (CX-DESPK15-54I)



5. FRONT AND SIDE (CX-DESPK15-55I)



6. WIRING

Device	Wire Color	Connection
Speaker	Green	+Audio
	White	-Audio
Amplifier	Grey	+Ex. Spk
	White	-Ex. Spk
Device	Terminal	Connection
Aura	AC/DC	Common
	PWR	+12-24V AC or DC
	- PBTN	RED Rly C
	+ PBTN	RED Rly NO

CX-DESPK15-54i and CX-DESPK15-55i External 15 Watt Speaker Station

INSTALLATION INSTRUCTIONS

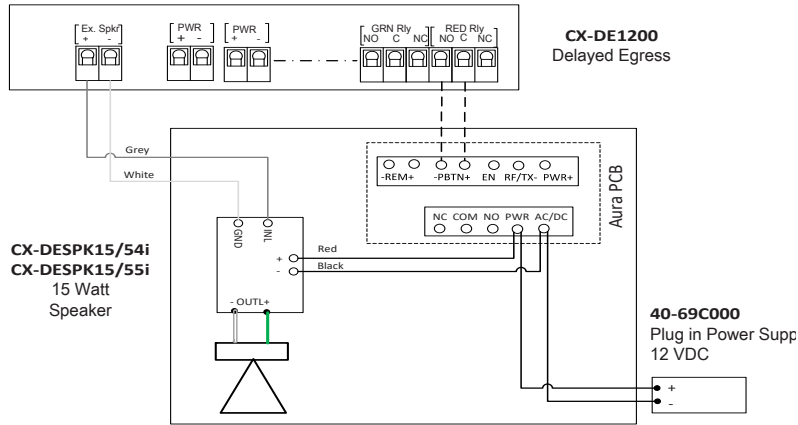


Figure 6.1 - Wiring Information

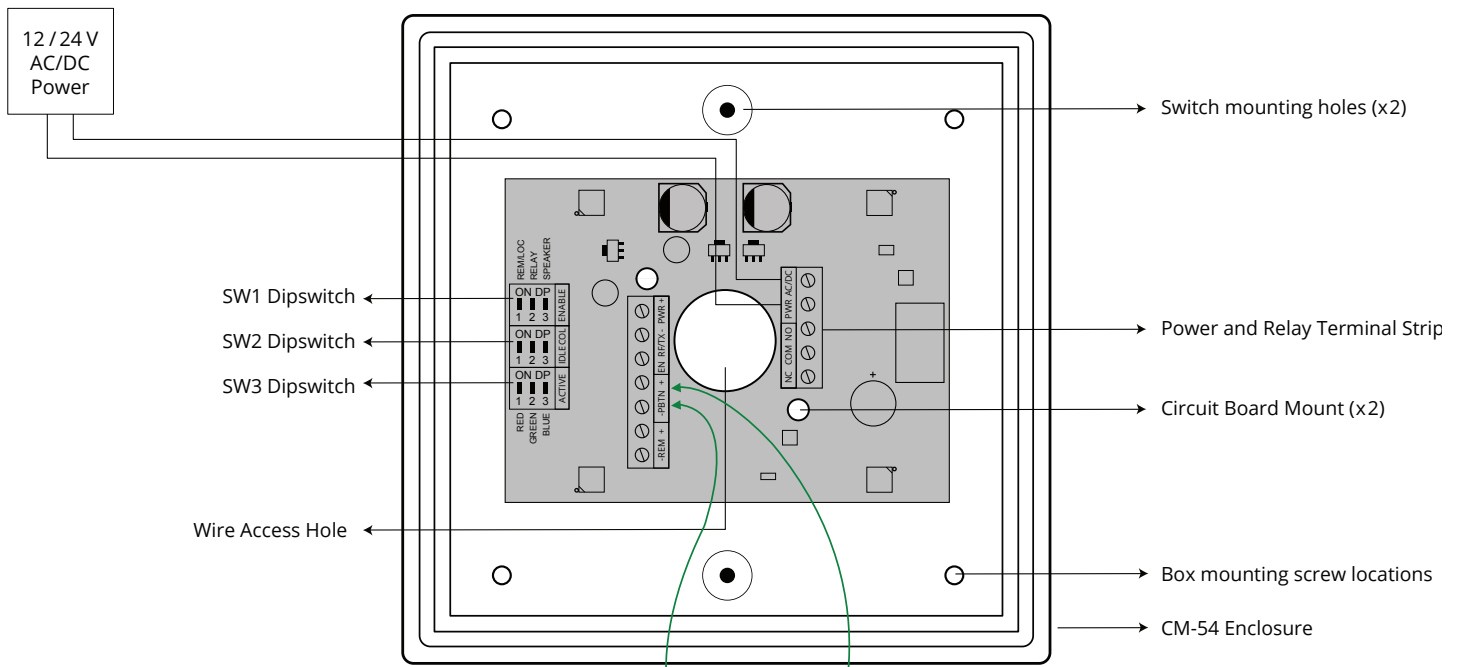


Figure 6.2 - CM-54i Wiring Diagram (Typical)

7. INSTALLATION

CX-DESPK15 uses a stainless-steel faceplate that easily mounts onto Camden's Aura surface or flush enclosures. Only 2" depth is required for flush mounting.

1. Determine the wire access location and drill hole of sufficient size, or use center knock-out plug.
2. Drill the four required mounting holes. (11/64" min.) There are four indents provided on 3" centers for your convenience. (See Figure 6.2)
3. Pull wiring through access hole, and mount the box to wall using 4 screws.
4. Remove circuit board from package and locate into the box. Pull the wire through the hole in centre of circuit board, and then secure with the two small self-tapping screws (provided).
5. Wire as per diagram (typical installation). Route the switch wiring through opaque diffuser panel, and install diffuser panel into box. It should fit snugly.
6. Screw in two #6-32 head screws (provided with switch) into the threaded center inserts, then attach wires to switch and install switch over screws. Locate screws and tighten (by hand only.)
7. Connect power and test for proper operation.
8. CX-DESPK15-55i comes with bracket that can be used to flush mount the enclosure.

8. SET-UP:

Switch SW1 contains a bank of 3 dipswitches

Dipswitch # 3 for Piezo. Turn off for 15-watt audio application.

Dipswitch # 2 toggles operation of the relay

Dipswitch # 1 allows you to choose whether the color will be changed locally via the push switch or remotely.

Switch	Position	Description
SW1	1	REMOTE / LOCAL On to enable LED color change from idle to Active with press of the push button.
	2	RELAY On to enable operation of the relay with activation of the push button.
	3	Piezo Sounds On or OFF

Color selection is made with Switches SW2 and SW3. SW2 determines the Active color and SW3 determines the Idle color.

Setting the IDLE Color (SW2)

SWITCH	Position	Description
SW2	1	ON = Red LED when IDLE
	2	ON = Green LED when IDLE
	3	ON = Blue LED when IDLE

Setting the Active Color (SW3)

Switch	Position	Description
SW3	1	ON = Red LED when Active
	2	ON = Green LED when Active
	3	ON = Blue LED when Active

NOTE: If all DIP switches are in the OFF position, there will be no color illuminated. This allows for no Idle color or no Active color.

9. EXPLODED VIEW

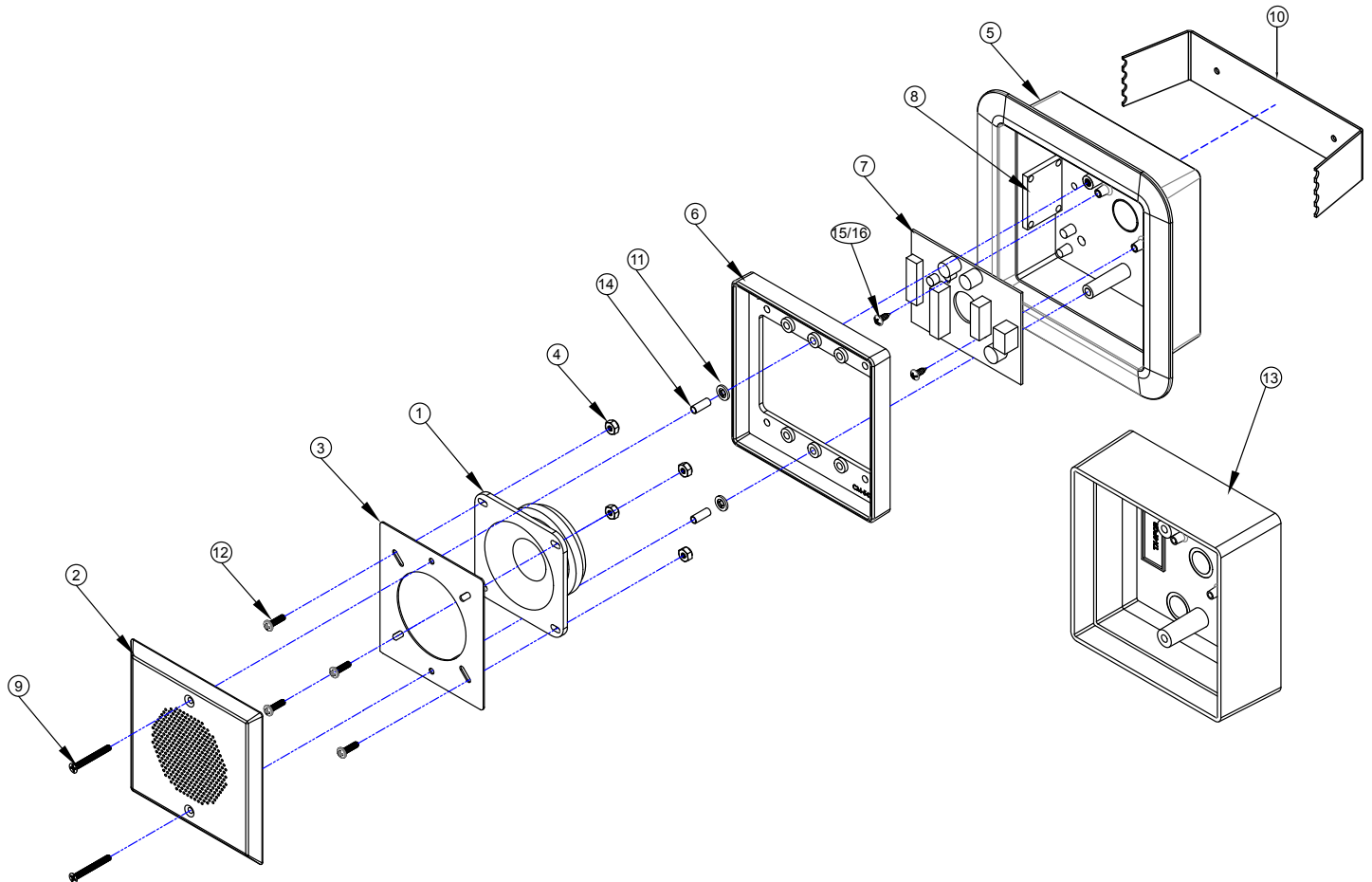


Figure 9.1 - Exploded View

CX-DESPK15-54i and CX-DESPK15-55i External 15 Watt Speaker Station

INSTALLATION INSTRUCTIONS

10. PARTS INFORMATION

MODEL NUMBERS			
ITEM #	MODEL NUMBER	QTY	DESCRIPTION
1	60-64B001	1	Remote 15 Watt Speaker
2	60-49F011-A	1	S/S D/G Face Plate/Grill
3	60-49F011-B	1	Sub Plate
4	60-52C006A	4	6-32 Nylon Insert Lock Nuts
5	60-42C019	1	Aura square Flush Mount Box
6	60-42C012	1	Aura SQ Cover Plate, Polypropylene (Trans)
7	60-31A041	1	Blue, Red and Green illuminated PCB
8	60-31A085	1	Audio Amplifier PCB
9	60-51C221E040	2	6-32 x 1 1/4" FLT HD. Phillips S/S Screw
10	60-40A008	1	Drywall Bracket for Flush Mount Boxes
11	60-54R001	2	Self-Retaining Washer
12	60-51C021A16	4	6-32 x 1/2" FLT. HD. Phillips Zinc M.S.
13	60-42C010	1	D Gang Plastic Box for CM-54
14	60-56C501E20	2	Aluminium Spacer
15	60-34B044	1	#21 Parts kit for CM-54B, CM-54BR & CM-54GR
16	60-34B002	1	#12 Parts Kit for CM-55 Flush Mount

11. MODEL DESCRIPTION

MODEL NUMBER	DESCRIPTION
CX-DESPK15-54i	Surface Mount, 15-watt Audio Speaker Station with Aura™ PCB 3 colour LED ring.
CX-DESPK15-55i	Flush Mount, 15-watt Audio Speaker Station with Aura™ PCB 3 colour LED ring.