

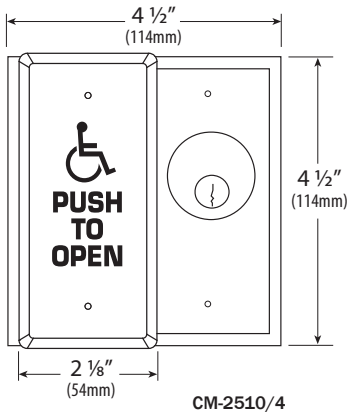


CM-2510/CM-2520

KEY SWITCH/PUSH PLATE AND VESTIBULE SWITCH



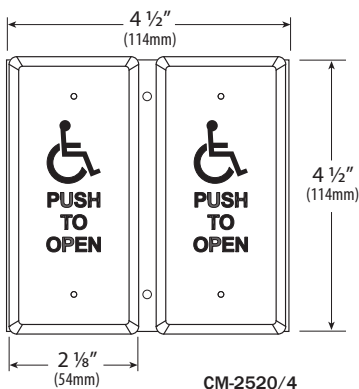
CM-2510/4
(Mortise cylinder sold separately)



CM-2510/4



CM-2520/4



CM-2520/4

FEATURES

- MOUNTS IN DOUBLE GANG BOX
- DURABLE STAINLESS STEEL CONSTRUCTION
- ALL-ACTIVE DESIGN REQUIRES MINIMAL ACTUATION FORCE & MEETS ADA REQUIREMENTS
- UL/CSA APPROVED SPST N.O. SWITCHES RATED 3 AMPS @ 30V DC MINIMUM
- VARIOUS LOGOS & MESSAGES
- ARCHITECTURAL FINISHES

DESCRIPTION

Camden Door Controls CM-2510 and CM-2520 Series combination switches are heavy-duty, ADA-compliant door controls. The 4 1/2" x 4 1/2" rectangular faceplates are stainless steel, and the assembly is designed for easy installation directly on a double gang electric box. The N.O. tubular switch is rated 3 AMP @ 30V DC and provides virtually silent operation. The keyswitch includes a SPST maintained switch standard, rated 6 AMP @ 30V DC.

APPLICATION

Camden switches are designed for areas where an easy-to-activate, high-visibility switch is desired. Ideal for high-traffic areas, hospitals, wheelchair access, seniors' residences, etc. They can be surface or flush mounted.

Camden combination key switch and push plate switches are designed to control electric strikes, electromagnetic locks and automatic doors. The keyswitch may be used for "after hours" entry in an apartment application or to turn an automatic door ON/OFF. They may also be used for shunting, bypassing alarms, request to exit, timed functions and many other applications.

Camden vestibule switches are designed to control two automatic doors in vestibules. The switches are made for high frequency usage for both indoor and outdoor environments. Camden switches are versatile and can be supplied in various configurations and finishes to suit any commercial, industrial or residential application.

KEY SWITCH/PUSH PLATE AND VESTIBULE SWITCH

ARCHITECTS/ENGINEERS SPECIFICATIONS

The switches to be used throughout the complex shall be Camden Door Controls CM-2510 and CM-2520 series switches.

The switches shall be easy-to-activate, ADA compliant and all-active, whereby pressing any part of the push plate will activate the device. Faceplates shall be constructed of 18 gauge stainless steel with dimensions of 4 1/2" x 4 1/2", (and have 2 concealed mounting screws for tamper resistance). Switches shall use plastic spacers and rubber dampers for noise reduction.

Actuating switch shall be of a compact tubular style rated 3 AMP @ 30 VDC. Keyswitch shall include a SPST maintained switch rated 6 AMP @ 30V DC.

ORDERING INFORMATION

All CM-2510 and CM-2520 series combination switches are complete ready-to-install assemblies. They are supplied with stainless steel screws and an Allen wrench for mounting.

The push switch is momentary N/O while the key switch is maintained. Other switch configurations are also available.

MODEL	DESCRIPTION
CM-2510	DOUBLE GANG PUSH PLATE/KEY SWITCH
CM-2520	DOUBLE GANG VESTIBULE PUSH PLATE SWITCH

FOR FACEPLATE GRAPHICS, ADD:

(ADD SUFFIX TO ANY 'BLANK' MODEL)

- /1 'BLANK' FACEPLATE
- /2 WHEELCHAIR LOGO
- /3 'PUSH TO OPEN'
- /3F 'POUSSEZ POUR OUVRIR'
- /4 WHEELCHAIR LOGO + 'PUSH TO OPEN'
- /4F WHEELCHAIR LOGO + 'POUSSEZ POUR OUVRIR'
- /48 WHEELCHAIR LOGO + 'PUSH TO OPEN' AND LOCK SYMBOL + 'PUSH TO LOCK'

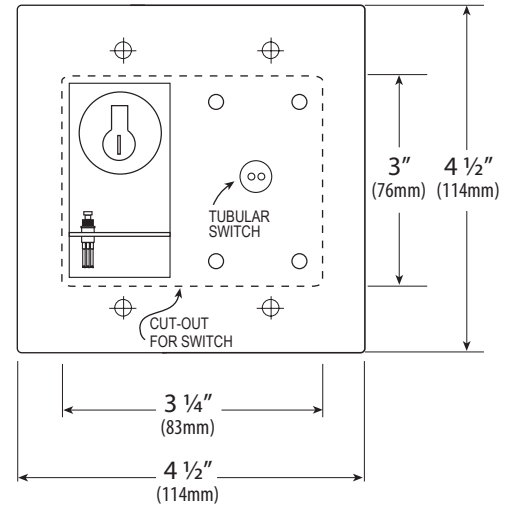
WEATHERPROOF OPTIONS:

CM-XXX-WT ADD 'WT' TO PRODUCT # FOR BOOT AND WATER TIGHT COATING

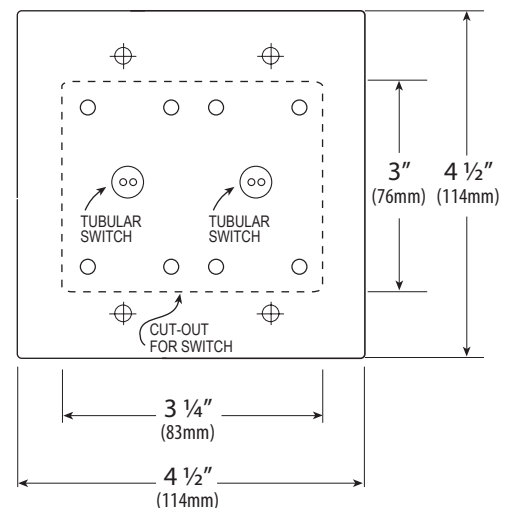
MORTISE CYLINDERS:

CM-XXX-1000/60KA MORTISE CYLINDER 1 1/8 INCH, SOLID BRASS, CHROME FINISH, KEYED ALIKE

CM-XXX-1000/60KD MORTISE CYLINDER AS ABOVE, KEYED DIFFERENT



CM-2510



CM-2520