



CX-WEC SERIES

EMERGENCY CALL SYSTEMS FOR UNIVERSAL AND BARRIER FREE RESTROOMS

IN THE EVENT OF AN EMERGENCY
PUSH EMERGENCY BUTTON
AND AUDIBLE AND VISUAL SIGNAL
WILL ACTIVATE



CX-WEC10K2

FEATURES

- COMPLETE EQUIPMENT PACKAGES SPECIFICALLY DESIGNED TO MEET THE REQUIREMENTS OF ONTARIO REG. 368/13 AMENDMENT TO 2012 OBC FOR BARRIER FREE & UNIVERSAL RESTROOMS.
- DESIGNED FOR UNIVERSAL RESTROOMS WITH OR WITHOUT LOW ENERGY DOOR OPERATORS.
- FOR USE WITH CAMDEN CX-WC SERIES BARRIER FREE RESTROOM CONTROL KITS.
- AUDIBLE AND VISUAL ANNUNCIATION OUTSIDE RESTROOM OF AN EMERGENCY CONDITION
- WITH 'PUSH/PULL' 'PRESS FOR EMERGENCY ASSISTANCE' MAINTAINED MUSHROOM PUSH BUTTON OR WITH LATCHING RELAY FOR USE WITH MOMENTARY SWITCHES, INCLUDING TAPE (RIBBON) SWITCHES
- 3 YEAR WARRANTY

DESCRIPTION

Camden Door Controls CX-WEC Series offer a range of components and complete equipment packages designed to meet building code requirements for universal restrooms. Emergency call system kits include a push/pull mushroom 'PRESS FOR ASSISTANCE' push button, or the option to use a momentary switch. Audible and visual annunciation of the request for assistance is provided inside the restroom by a flush mount single gang LED annunciator with adjustable sounder, and outside the restroom by a single gang dome light with adjustable sounder. If activation and annunciation in one product is desired, a double gang mushroom button and LED annunciator combo unit is offered. All equipment packages include an 'IN THE EVENT OF AN EMERGENCY' instructional sign, with 1" (25mm) lettering, as required by code. CX-WEC Series emergency call systems are available in English, French and Bilingual.

APPLICATION

Camden Door Controls CX-WEC Series emergency call systems and components are specifically designed to meet the latest requirements of Ontario regulation 368/13 amendment to the 2012 Ontario Building Code, for barrier free and universal restrooms. They are designed for universal restrooms with or without low energy door operators. System kits include a wide selection activation switches, audible and visual annunciation and signage.

ELECTRIC STRIKES

MAGNETIC LOCKS

DOOR ALARMS

RELAYS & TIMERS

POWER SUPPLIES

TRANSFORMERS

ANNUNCIATORS

RESTROOM CONTROL KITS

EMERGENCY CALL SYSTEM FOR UNIVERSAL & BARRIER FREE RESTROOMS

COMPONENTS

See individual product spec sheets for a complete list of product information for each model shown.

CM-450R/12

1-5/8" MUSHROOM PUSH BUTTON, PUSH/PULL, 'PRESS FOR EMERGENCY ASSISTANCE'

- PUSH/PULL MAINTAINED OPERATION
- SINGLE GANG STAINLESS STEEL FACEPLATE
- 5 INPUTS, INCLUDING A 'WET' INPUT
- LARGE 3 SEGMENT DISPLAY IS EASIER TO VIEW AND UNDERSTAND, THAN COMPETITIVE MODELS.



CM-450R/12

CM-AF501S0

SINGLE GANG LED ANNUNCIATOR WITH ADJUSTABLE SOUNDER

- WHITE OUT 'ASSISTANCE REQUESTED' MESSAGE ONLY LEGIBLE UPON ACTIVATION
- SINGLE GANG HEAVY DUTY BRUSHED STAINLESS STEEL FACEPLATE
- SUPER BRIGHT LED ILLUMINATION
- FIELD ADJUSTABLE 85 DB PIEZO SOUND ALERT, DESIGNED TO CONFIRM REQUEST
- SINGLE GANG LED ANNUNCIATOR WITH ADJUSTABLE SOUNDER



CM-AF501S0

CM-AF540S0

DOUBLE GANG 'PRESS FOR EMERGENCY ASSISTANCE' PUSH BUTTON & LED ANNUNCIATOR

- DOUBLE GANG, COMBINING ACTIVATION AND ANNUNCIATION IN ONE DEVICE
- SUPER BRIGHT LED ILLUMINATION
- WHITE OUT 'ASSISTANCE REQUESTED' MESSAGE ONLY LEGIBLE UPON ACTIVATION
- 1-5/8" MAINTAINED MUSHROOM PUSH BUTTON



CM-AF540S0

CM-AF141S0 / CM-AF142S0

'ASSISTANCE REQUIRED' DOME LIGHT WITH ADJUSTABLE SOUNDER

- CM-AF141S0: WHITE ONLY
- CM-AF142S0: RED/BLUE/GREEN/WHITE
- WEATHER AND VANDAL RESISTANT
- LOUD 93 DB PIEZO SOUNDER, WITH VOLUME ADJUSTMENT
- SUPER BRIGHT LED ILLUMINATION
- 'ASSISTANCE REQUIRED' TEXT ON LENS (ENG., FR. AND BILINGUAL)
- FOR INDOOR OR OUTDOOR USE
- 4"W X 5 1/2"H DRESS PLATE INCLUDED



CM-AF141S0



CM-AF142S0

CM-8010/13

MOMENTARY, 'PRESS FOR RESET' 1" RED PUSH BUTTON

- CONVENIENT RESET OF EMERGENCY CALL SYSTEM WHEN UTILIZING MOMENTARY 'PRESS FOR EMERGENCY ASSISTANCE' SWITCHES.
- VANDAL RESISTANT, CAST ALUMINUM FACEPLATE WITH METAL BUTTON COLLAR
- LASER ETCHED GRAPHIC TEXT



CM-8010/13

CM-1205/14

MOMENTARY, 'W/C SYSTEM RESET' FLUSH MOUNT KEY SWITCH, WITH CYLINDER & KEYS

- SECURE RESET OF EMERGENCY CALL SYSTEM WHEN UTILIZING MOMENTARY 'PRESS FOR EMERGENCY ASSISTANCE' SWITCHES.
- HEAVY GAUGE STAINLESS STEEL FACEPLATE
- SOLID BRASS MORTISE KEY CYLINDER WITH 2 KEYS
- LASER ETCHED GRAPHIC TEXT



CM-1205/14

EMERGENCY CALL SYSTEM FOR UNIVERSAL & BARRIER FREE RESTROOMS

CX-LRS12/ CX-LRS24

LATCHING RELAY ASSEMBLY FOR EMERGENCY CALL SYSTEM

- FOR USE WITH MOMENTARY 'PRESS FOR ASSISTANCE' SWITCHES
- SELECTION OF 12V OR 24V LATCHING RELAYS



CM-LRS-12

CM-SE21A / CM-SF20A

INSTRUCTIONAL SIGNAGE FOR UNIVERSAL RESTROOMS

- COMPLIES WITH ONTARIO BUILDING CODE REQUIREMENTS
- FIRE RATED EXPANDED PVC
- WHITE, 1/16" (1.6MM) THICK PANEL, 6" H X 10 5/8" W, (152MM X 270 MM)
- RED 1" (25MM) LETTERING
- EASILY MOUNTS TO WALL (GLUE OR SCREWS)

IN THE EVENT OF AN EMERGENCY
PUSH EMERGENCY BUTTON
AND AUDIBLE AND VISUAL SIGNAL
WILL ACTIVATE

CM-SE21A

DANS LE CAS D'UNE URGENCE
POUSSER LE BOUTON D'URGENCE
POUR ACTIVER LE SIGNAL
SONORE ET VISUEL

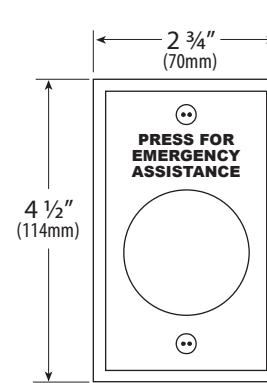
CM-SF20A

SPECIFICATIONS

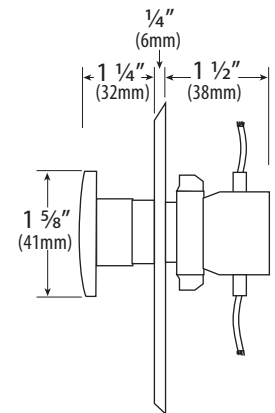
CM-450R/12

MUSHROOM PUSH BUTTON, PUSH/PULL, 'PRESS FOR EMERGENCY ASSISTANCE'

- VOLTAGE: 12/24V AC/DC
- CONTACT TYPE: DPST, MAINTAINED
- CONTACT RATING: 10 AMPS
- STD. FINISH: STAINLESS STEEL

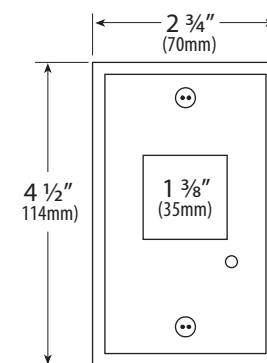


CM-450R/12

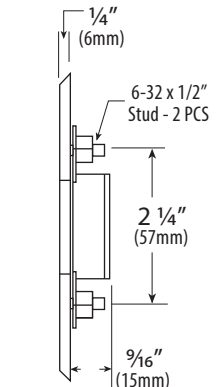


CM-AF501SO

- VOLTAGE: 12/30V AC/DC
- CURRENT DRAW: 30 - 75MA
- SOUNDER: ADJUSTABLE, 85DB @ 10CM MAX.
- STD. FINISH: STAINLESS STEEL

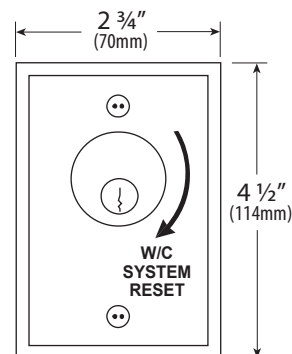


CM-AF501SO



CM-1205/14

- VOLTAGE: 12/24V AC/DC
- CONTACT TYPE: SPST MOMENTARY, N/C
- CONTACT RATING: 6 AMPS
- SWITCH LIFE: ALL: 100,000 CYCLES
- STD. FINISH: STAINLESS STEEL

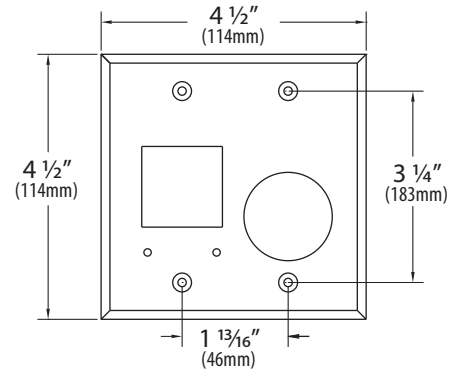


CM-1205/14

EMERGENCY CALL SYSTEM FOR UNIVERSAL & BARRIER FREE RESTROOMS

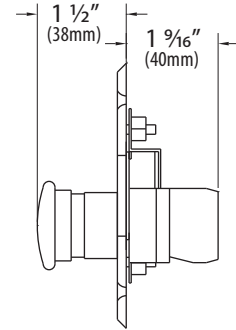
CM-AF540S0

VOLTAGE:	12/30V AC/DC
CURRENT DRAW:	30 - 75MA
CONTACT TYPE:	DPST
CONTACT RATING:	10 AMPS



CM-AF141S0 / CM-AF142S0

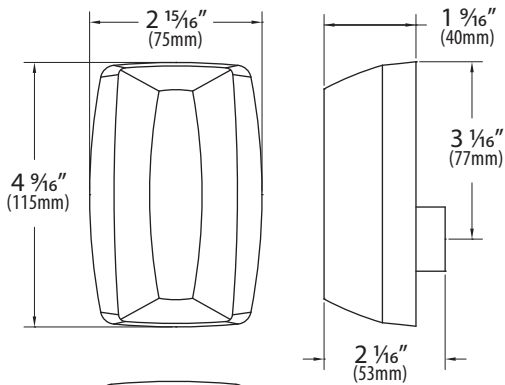
VOLTAGE:	12-24V AC/DC
CURRENT DRAW:	CM-AF141S0: 40 - 70 MA CM-AF142S0: 70MA MAX 1 COLOUR 130 MA MAX MULTI-COLOR
SOUNDER:	ADJUSTABLE, 93DB @ 1 METER MAX. (3FEET)
FINISH:	WHITE



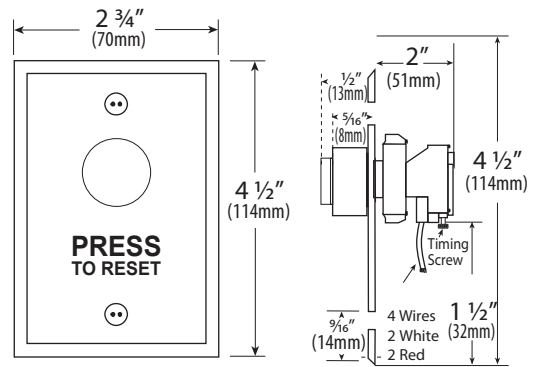
CM-AF540S0

CM-8010/13

VOLTAGE:	12/24 VDC
CONTACT TYPE:	N/C SPST
CURRENT RATING:	6A@30V DC
SWITCH TYPE:	MOMENTARY
FINISH:	BRUSHED ALUMINUM



CM-AF141S0 / CM-AF142S0



CM-8010/13

EMERGENCY CALL SYSTEM FOR UNIVERSAL & BARRIER FREE RESTROOMS

ORDERING INFORMATION

EQUIPMENT PACKAGE

CX-WEC10K2 UNIVERSAL RESTROOM KIT WITH DOUBLE GANG SWITCH/ ANNUNCIATOR COMBO. FOR USE WITHOUT AUTOMATIC DOOR OPERATOR, OR WITH CX-WC 10, 11, 12, 13 & 14 BARRIER-FREE RESTROOM CONTROL KIT.

- CM-AF54050 'PRESS FOR EMERGENCY ASSISTANCE' MUSHROOM PUSH BUTTON AND LED ANNUNCIATOR WITH ADJUSTABLE SOUNDER (DOUBLE GANG),
- CM-AF14150 LED DOME LIGHT WITH ADJUSTABLE SOUNDER,
- CM-SE21A WHITE PANEL SIGN 6" X 10 5/8" (152MM X 270MM)

ADD SUFFIX 'F' TO MODEL NUMBER FOR FRENCH LANGUAGE.

CX-WEC13 UNIVERSAL EMERGENCY CALL KIT WITH KEY SWITCH RESET. FOR USE WITH MOMENTARY 'PRESS FOR EMERGENCY ASSISTANCE' SWITCHES (EXTRA)

- CM-AF50150 LED ANNUNCIATOR/SOUNDER
- CM-AF14150 LED DOME LIGHT/SOUNDER
- CM-SE21 WHITE PANEL SIGN
- CX-LRS 24V LATCHING RELAY ASSEMBLY
- CM-1205/14 MOMENTARY, 'W/C SYSTEM RESET' KEY SWITCH AND
- CM-1000/60KD, KEY CYLINDER.

ADD SUFFIX 'F' TO MODEL NUMBER FOR FRENCH LANGUAGE.

IN THE EVENT OF AN EMERGENCY
PUSH EMERGENCY BUTTON
AND AUDIBLE AND VISUAL SIGNAL
WILL ACTIVATE



CX-WEC10K2

IN THE EVENT OF AN EMERGENCY
PUSH EMERGENCY BUTTON
AND AUDIBLE AND VISUAL SIGNAL
WILL ACTIVATE



CX-WEC13



Camden offers the largest selection of application kits in the industry.
To view our complete listing, visit our website www.camdencontrols.com