

## CX-ED2071 & CX-ED2079 'Universal' Low Profile Grade 2 Electric Strikes



BEST VALUE



RUGGED DESIGN

Camden CX-ED2071 low profile 'Universal' grade 2 'ANSI' electric strikes for cylindrical locksets provide exceptional value, for installations that require 8 - 16V AC/DC operation. CX-ED2071 includes (3) faceplates, selectable fail safe / fail secure operation, and horizontal adjustability of the strike body.

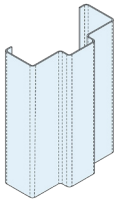
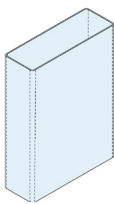
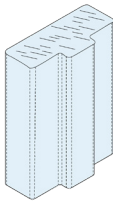
Camden CX-ED2079 low profile 'Universal' grade 2 'ANSI' electric strikes for cylindrical locksets also provide great value with (3) faceplates, selectable 12/24V AC/DC voltage, fail safe / fail secure operation and horizontal adjustment of the strike body. UL 1034 Burglary Listed.

The CX-ED2079-1 includes all the same great features as the CX-ED2079, just with (1) 'ANSI' square faceplate.

### Features

- Centerline latch entry, for cylindrical locksets
- 1/2" - 5/8" (13mm - 16mm) latch projection
- Field selectable fail safe / fail secure operation
- Horizontal adjustability
- Low profile strike body
- CX-ED2071: 8V - 16V strike with (3) stainless steel faceplates: 'ANSI' square, hollow metal door and wood door
- CX-ED2079: 12/24V strike with (3) stainless steel faceplates: 'ANSI' Square, hollow metal door and wood door
- CX-ED2079-1: 12/24V strike with (1) stainless steel 'ANSI' square faceplate
- 5 year warranty



DOOR FRAME TYPES		
Hollow Metal Frame 	Aluminum Frame 	Wood Frame 

COMPATIBLE LOCKSETS
Cylindrical Lockset 

SPECIFICATIONS			
VOLTAGE:	<b>CX-ED2071:</b> 8 - 16V, AC/DC <b>CX-ED2079:</b> 12/24V, AC/DC	MODE:	Field selectable fail safe/fail secure
CURRENT DRAW:	<b>CX-ED2071:</b> 305mA @ 8VDC, 625mA @ 16VDC, 190mA @ 8VAC, 460mA @ 16VAC <b>CX-ED2079:</b> 300mA @ 12VDC, 150mA @ 24VDC	OPERATION:	AC - Buzz, DC - Silent
STATIC STRENGTH:	1,000 lbs	DUTY:	<b>CX-ED2071:</b> Intermittent <b>CX-ED2079:</b> Continuous
ENDURANCE:	<b>CX-ED2071 &amp; CX-ED2079:</b> 700,000 cycles (Factory Tested) <b>CX-ED2079:</b> 250,000 cycles (UL Verified)	MOUNTING:	Non-handed
		DYNAMIC STRENGTH:	50 Ft-lbs
		DIMENSIONS :	3-3/8" H x 1-7/8" W x 1-7/32" D (86mm x 47mm x 31mm)

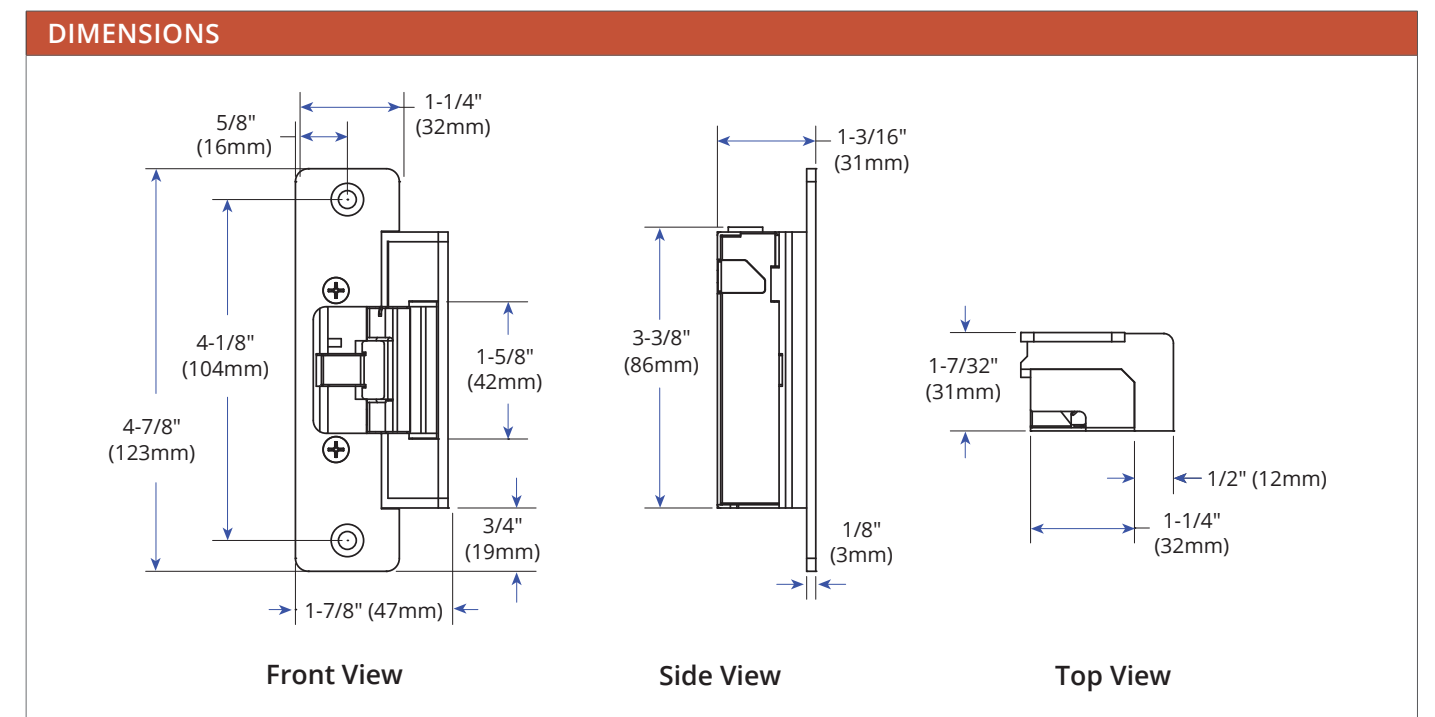
ORDERING INFORMATION	
MODEL	
<b>CX-ED2071</b>	'Universal' electric strike, 8 - 16V AC/DC, fail safe/fail secure operation, horizontal adjustment, with (3) stainless steel faceplates (CX-ESP1B, CX-ESP3B & CX-ESP4B)
<b>CX-ED2079*</b>	'Universal' electric strike, 12/24V AC/DC, fail safe/fail secure operation, horizontal adjustment, with (3) stainless steel faceplates (CX-ESP1B, CX-ESP3B & CX-ESP4B)
<b>CX-ED2097-1*</b>	'Universal' electric strike, 12/24V, AC/DC, fail safe/fail secure operation, horizontal adjustment, with (1) stainless steel faceplate (CX-ESP1B)

\*Security listed UL 1034 UL294

ORDERING INFORMATION	
INCLUDED IN PACKAGE	
<b>CX-ESP1B</b>	'ANSI' Square, 4-7/8" x 1-1/4", stainless steel
<b>CX-ESP3B</b>	Hollow Metal Door, 6-7/8" x 1-1/4", stainless steel
<b>CX-ESP4B</b>	Wood Door, 7-15/16" x 1-7/16", stainless steel
OPTIONAL FACEPLATES	
<b>CX-ESP2B</b>	'ANSI' Round, 4-7/8" x 1-1/4", stainless steel
<b>CX-ESP1B-BK</b>	'ANSI' Square, 4-7/8" x 1-1/4", black finish (BHMA 622, US19)
<b>CX-ESP2B-BK</b>	'ANSI' Round, 4-7/8" x 1-1/4", black finish (BHMA 622, US19)
<b>CX-ESP3B-BK</b>	Hollow Metal Door, 6-7/8" x 1-1/4", black finish (BHMA 622, US19)
<b>CX-ESP4B-BK</b>	Wood Door, 7-15/16" x 1-7/16", black finish (BHMA 622, US19)

CUTTING JIGS	
<b>CX-JIG1</b>	For installing 'ANSI' round faceplates
<b>CX-JIG2</b>	For hollow metal door faceplates

LIP EXTENSION BRACKETS	
<b>CX-ED-LIP1</b>	1" Lip extension for 'ANSI' strikes (stackable)
<b>CX-ED-LIP2</b>	2" Lip extension for 'ANSI' strikes



# FACEPLATE DIMENSIONS

INCLUDED IN PACKAGE			OPTIONAL FACEPLATE
<p><b>'ANSI' Square</b></p> <p><b>CX-ESP1B</b></p>	<p><b>Hollow Metal Door</b></p> <p><b>CX-ESP3B</b></p>	<p><b>Wood Door</b></p> <p><b>CX-ESP4B</b></p>	<p><b>'ANSI' Round</b></p> <p><b>CX-ESP2B</b></p>