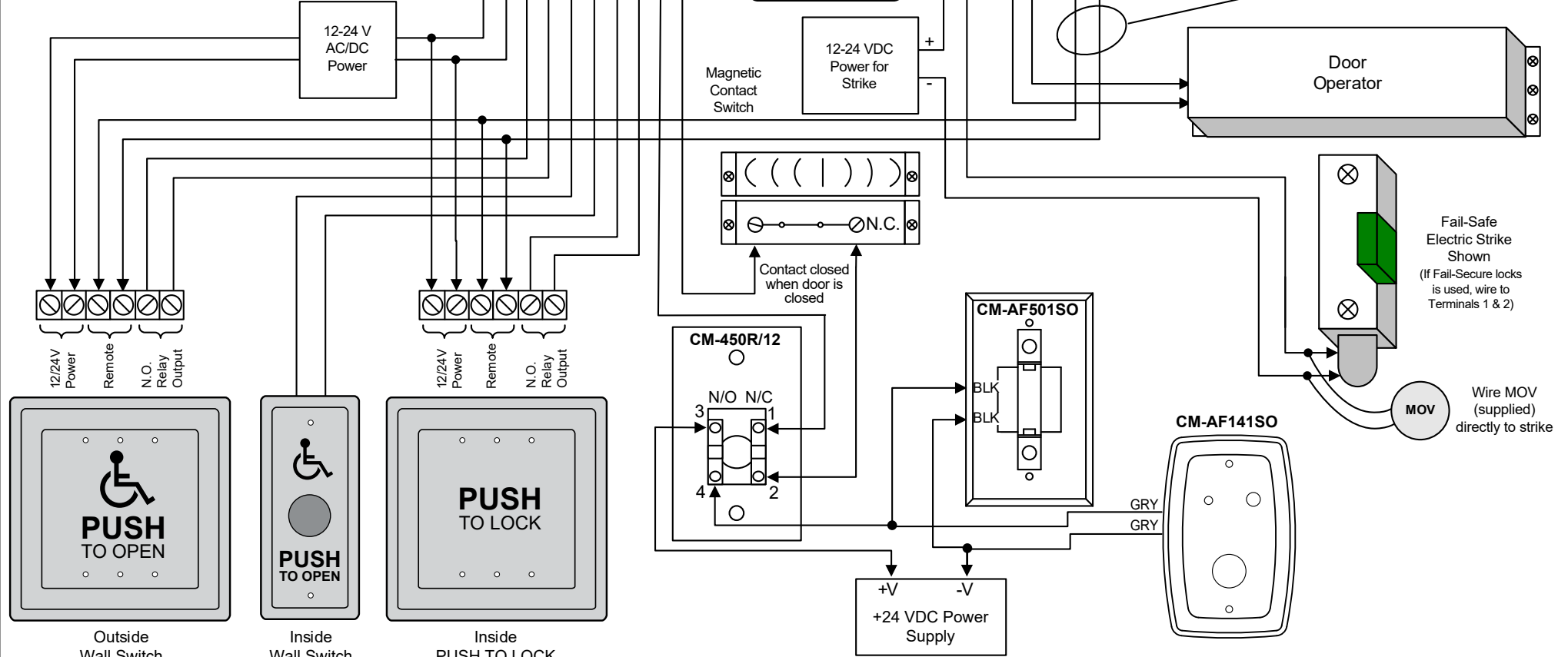
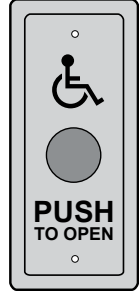


Note:  
This Drawing should be used in addition to each products respective Installation Manual (not in place of)

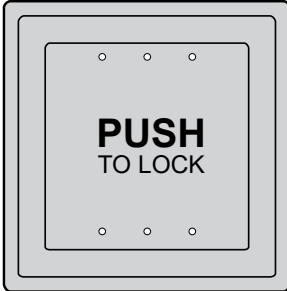
Important:  
Ensure wiring polarity is consistent from Relay 3 to each Aura's Remote Input terminals.



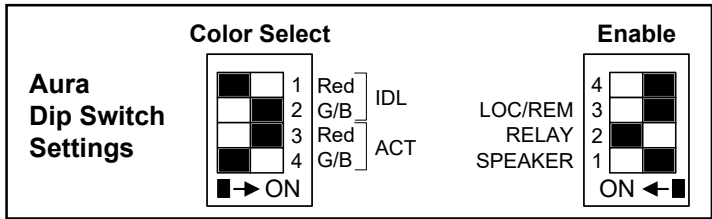
Outside Wall Switch  
CM-45/455SE1  
(or similar)



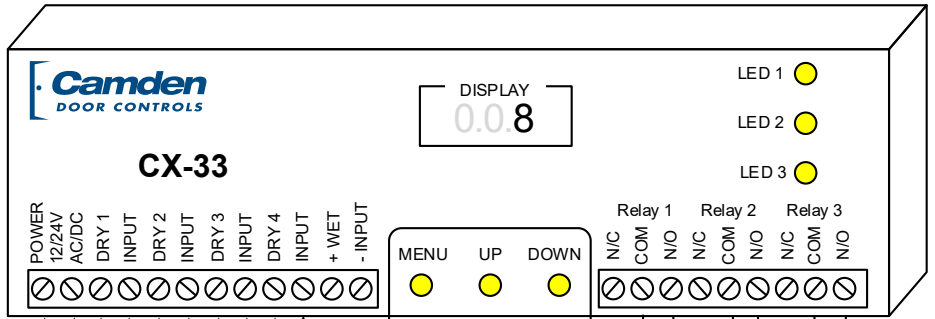
Inside Wall Switch  
(always unlocks and opens door)



Inside Wall Switch  
CM-45/855SE1  
(or similar)

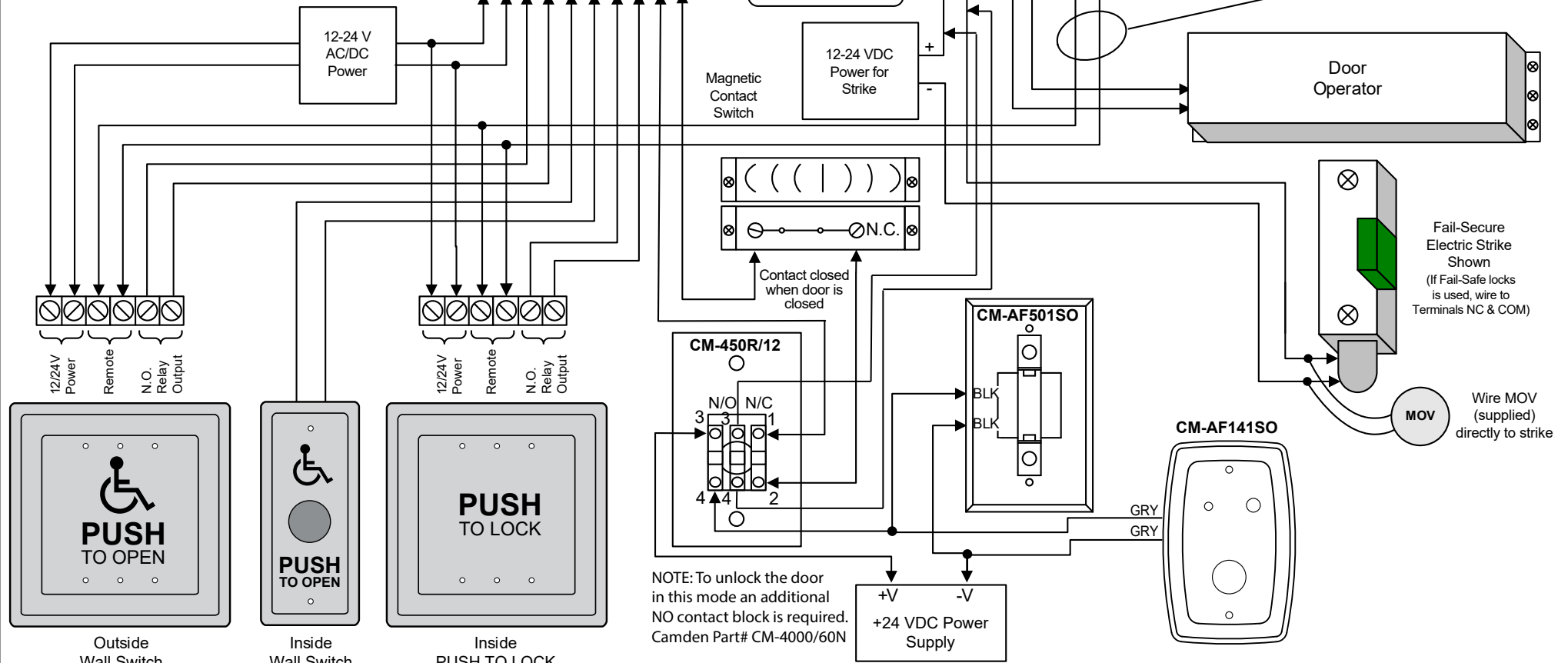


<b>Camden DOOR CONTROLS</b>		5502 Timberlea Blvd. Mississauga, Ontario L4W 2T7	
SCALE: NONE	DRAWN BY: DGW	DATE: 03/08/17	REV: 2
<b>CX-WC13FM &amp; WEC10 Single Door Restroom (Normally unlocked)</b>			
DRAWING No: DRG-CX-WC-13-7		FILE NAME: WC-13FM-7-WEC10 wiring diagram_R2	

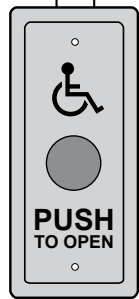


Note:  
This Drawing should be used in addition to each products respective Installation Manual (not in place of)

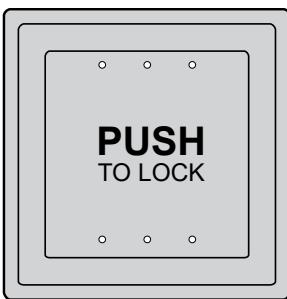
Important:  
Ensure wiring polarity is consistent from Relay 3 to each Aura's Remote Input terminals.



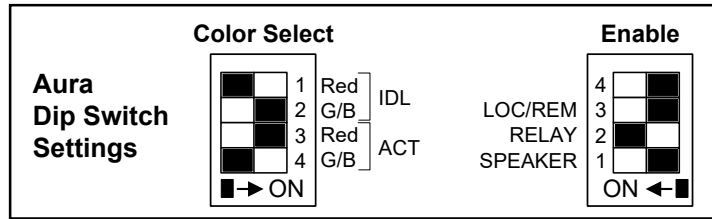
Outside Wall Switch  
CM-45/455SE1  
(or similar)



Inside Wall Switch  
(always unlocks and opens door)



Inside PUSH TO LOCK  
CM-45/855SE1  
(or similar)



<b>Camden DOOR CONTROLS</b>		5502 Timberlea Blvd. Mississauga, Ontario L4W 2T7	
SCALE: NONE	DRAWN BY: DGW	DATE: 03/08/17	REV: 2
<b>CX-WC13FM &amp; WEC10 Single Door Restroom (Normally locked)</b>			
DRAWING No: DRG-CX-WC-13-8		FILE NAME: WC-13FM-8-WEC10 wiring diagram_R2	