

CM-47-ADP1 Manual

INSTALLATION INSTRUCTIONS

THIS PACKAGE INCLUDES:

- (1) Extension Ring
- (1) Parts Kit

1. GENERAL DESCRIPTION

Camden Door Controls CM-47-ADP1 extension ring can be mounted with the CM-47S ABS Round enclosure and with the Camden CM-40 series 'all active' heavy-duty, ADA compliant door activation switches. These switches are UL/CSA approved and optional Weatherproof, watertight coating are available.

2. SPECIFICATIONS

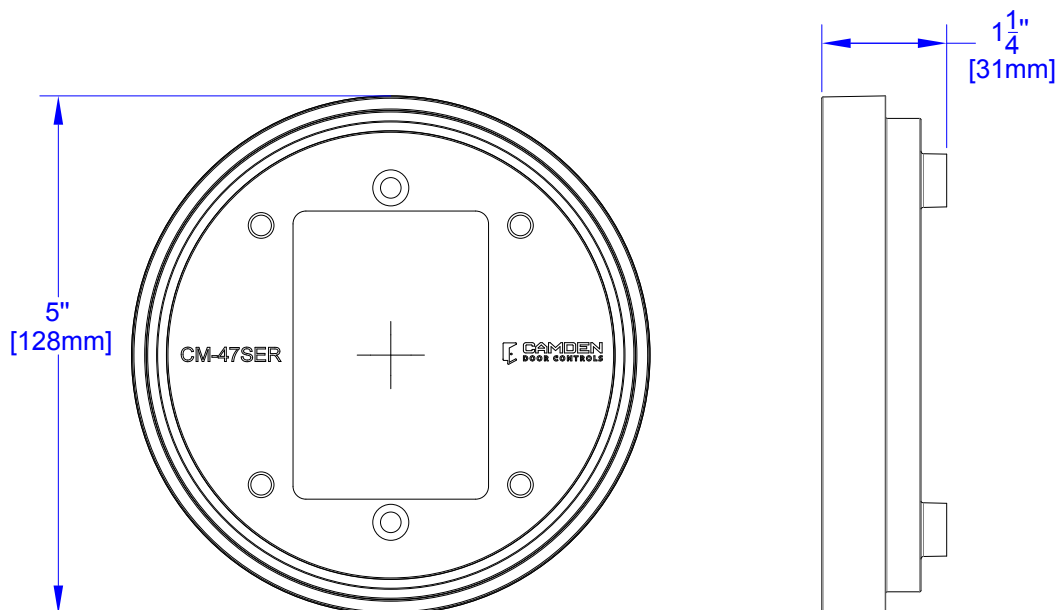
Dimensions	CM-69-ADP1: 5" DIA x 1-1/4"D (167mm x 31mm)
-------------------	--

3. INSTALLATION

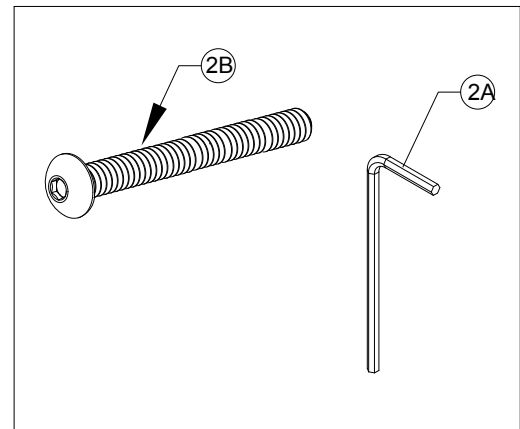
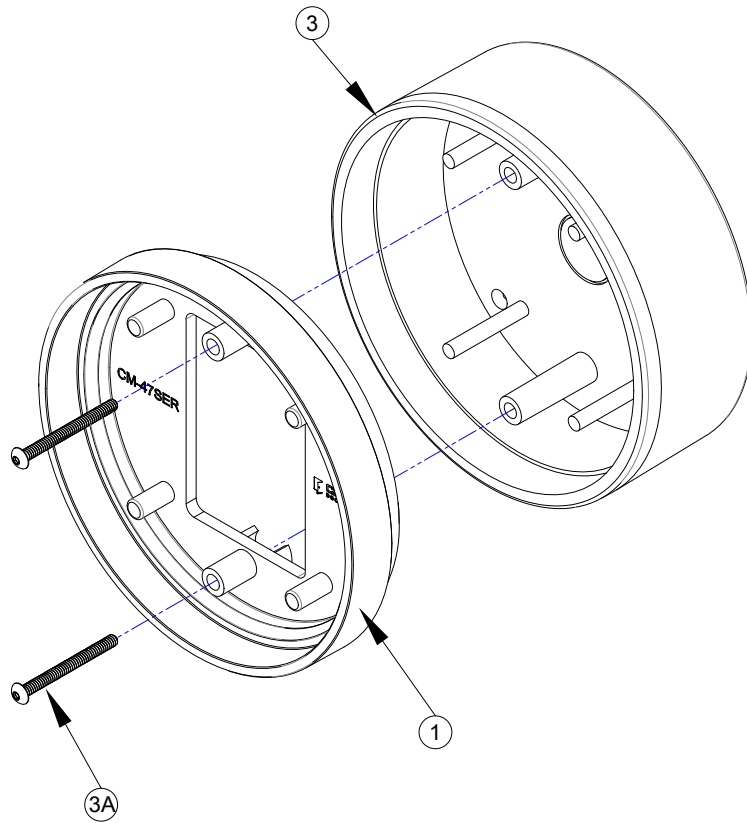
ACTIVE SWITCH INSTALLATION:

Firmly mount the Black polymer (ABS) box (Sold Separately) against a surface or a wall. Place the extension ring over the round enclosure. Align the crescents with the middle standoff of the round box to help keep the ring in place. Screw the two 6-32 x 1-1/2" screws through the ring and into the round box. Don't screw all the way, leave about 1/4" of room for the switch to be mounted. To place the switch onto the ring, start with the bottom, slide the groove at the bottom of the backplate over the screw then put the top screw through the cut-out at the top of the backplate and slide the switch down. Take a screwdriver or the supplied hex key and tighten the socket head screws, securing the switch in place.

4. CM-47SER SERIES FRONT AND SIDE VIEW



5. PARTS INFORMATION



MODEL NUMBERS			
ITEM NUMBER	MODEL NUMBER	QTY	DESCRIPTION
1.	60-40K003	1	CM-47S EXTENSION RING
PARTS KIT			
ITEM NUMBER	PART NUMBER	DESCRIPTION	
2.	60-34B099	(A) SMALL HEX KEY, 5/64" SHORT ARM (B) 6-32 X 1 1/2" BUTT HEAD SOCKET CAP SCREW	
COMPATIBLE MOUNTING BOX OPTION			
3.	60-42C007	CM-47S SURFACE, ROUND STANDARD DEPTH, PROVISION FOR WIRELESS. BLACK POLYMER (ABS) FLAME AND IMPACT RESISTANT, 5" X 1-3/4" D	