



CM-333 Series Hybrid Battery Powered Switches with 1 Relay



CM-333 APPLICATION

Hybrid Battery Powered

Designed to retrofit non-powered push plate switches with sensor switches without any additional wiring.

These switches offer the longest alkaline battery life of any switch in the market, with the option for lithium batteries.

The SureWave™ family of touchless switches by Camden lead the industry in performance, quality and value - with a range of features unmatched by any other on the market.

The CM-333 hybrid battery powered touchless switch with relay provides 'state of the art' door activation while eliminating the spread of germs.

Battery powered touchless switches offer an adjustable operating range, selectable motion sensing and momentary or maintained relay operation.



SPECIFICATIONS

NO. OF IR SENSORS:	1
BATTERIES:	(2) 'AA' ALKALINE (SUPPLIED) (2) 'AA' LITHIUM BATTERIES (OPTIONAL)
ESTIMATED BATTERY LIFE:	2 YEARS (BASED ON 100 OPERATIONS/DAY)
STANDARD OPERATING RANGE:	1" - 12" (25.4MM - 304MM)
MOTION SENSING MODES:	MOMENTARY, MOMENTARY WITH ALARM MAINTAINED (LATCHING)
RELAY OUTPUT:	(1) FORM 'C' (SPDT)
RELAY CONTACT RATING:	3 AMPS @ 30 VDC
OUTPUT TYPE:	FAIL SAFE / NON - FAIL SAFE OPERATION
INPUT:	REQUEST TO EXIT OR EXTERNAL (DOOR CONTACT)

MODELS

CM-333	Hybrid Battery Powered Touchless Switch with 1 Relay
---------------	--

OPTIONAL FACEPLATE MATERIAL (Supplied Black Polycarbonate Standard)

S	Stainless Steel Faceplate
----------	---------------------------

OPTIONAL BATTERIES (2) 'AA' ALKALINE SUPPLIED

-L1	Add suffix '-L1' for (2) 'AA' Lithium Batteries in place of (2) Alkaline
CM-LP1	(2) 'AA' Lithium Battery Pack

FACEPLATE SIZES (Supplied Single Gang Standard)



Single Gang
Compatible surface
mount box CM-34BL



/N - Narrow
Battery operated
CM-333 is designed
for mounting on
door jamb

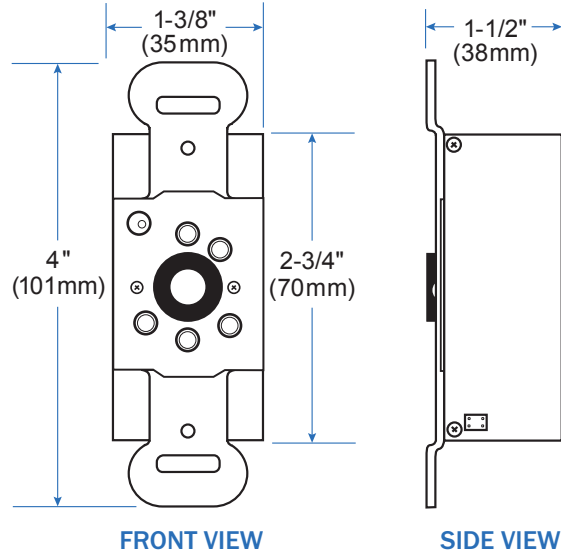


/W - Double Gang
Compatible surface
mounting box
CM-43CBLA



/R - 6" Round
Stainless steel only.
Indoor use only.
Compatible surface box
CM-69SER

SWITCH DIMENSIONS



OPTIONAL FACEPLATE GRAPHICS (Supplied Blank Standard)



/40



/41



/42



/43



/44

Add 'F' to graphic option for French language



For a complete list of all SureWave™ Touchless Switch Kits, please visit www.camdencontrols.com



Opening New Doors to
Innovation, Quality and Support!

5502 Timberlea Blvd. Mississauga, ON Canada L4W 2T7 • Toll Free: 1 877 226-3369 (CAMDEN9)
Tel: (905) 366-3377 • Fax: (905) 366-3378 • E-mail: info@camdencontrols.com • www.camdencontrols.com



Part #: MKTG-LIT-SP-CM-333R4