

CM-550SK V3 Waterproof Keypad/Controller

INSTALLATION INSTRUCTIONS



THIS PACKAGE INCLUDES:

- (1) Digital Keypad CM-550SK V3
- (1) User Manual
- (1) Screw driver
- (4) Wall plugs
(6 x 27 mm, used for mounting)
- (4) Self tapping screws
(3.5 x 27 mm, used for mounting)

1. DESCRIPTION

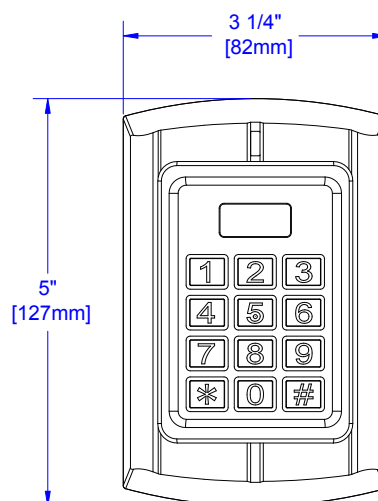
The CM- 550SK V3 is a back-lit single door multifunction standalone access control keypad with an input for a door position switch and an output for an electric strike. It is suitable for mounting either indoors or outdoors in harsh environments. It is housed in a strong, sturdy and vandal proof Zinc Alloy electroplated case. The electronics are fully potted so the CM-550SK V3 is waterproof and conforms to IP68. The CM-550SK V3 supports up to 20,000 Users. An output can be configured for a remote doorbell or an alarm annunciator. Alarm conditions include keypad tampering, door forced open and door ajar. These features make the CM-550SKV3 an ideal choice for door access for commercial and industrial applications such as factories, offices, warehouses, laboratories, banks, and prisons.

2. SPECIFICATIONS

Input Power	10-28V AC/DC
Standby Current	35mA (Input VDC12V)
Operating Current:	100mA (Input VDC12V)
Working Humidity	0-95%
Working Temperature	-40°C to 60°C (-40F to 140F)
Alarm Output (Digital)	1A @ 30VDC
Lock Relay	1A @ 30VDC
IP Rating	68

Note: When the keypad is idle the LED is solid RED. In programming mode, the LED is flashing RED. The Master code for programming must be changed to configure any part of the CM-550SK and its parameters. All changes must be done within programming mode.

3. DIMENSIONS



4. OPERATION CONVENTIONS

- "Beep-" One long beep means the operation was correct. "Beep-beep-beep" three short beeps mean the operation was incorrect. The LED light turns green when the operation is successful.
- "#" means the previous operation was received by the system. It is normally used at the end of entering digital numbers for a PIN code, ID number, card number, or parameter. When you type this key, the programming is finished.
- "*" means to cancel the current operation or go back to the previous menu.
- The management menu is fixed to 2 digits, from 00 to 99. Do not press "#" on the keypad afterwards. After entering the 2 digits, the LED will turn orange (or purple). If the operation fails, you will hear "beep-beep-beep" three short beeps.
- Under the management menu operation mode, if there is no activity detected of keys being pressed for over 30 seconds, it will automatically revert to standby mode.

CM-550SK V3 WATERPROOF KEYPAD

INSTALLATION INSTRUCTIONS

Indicator light and buzzer prompt

Operation Status	Indicator light	Buzzer
Standby mode	Red	
Successful operation	Green	A long beep
Operation incorrect		3 short beeps
Press digit key		A short beep
Press * key		A long beep
Inputting opening door PIN	Red slow flash	
The first unlock	Green	
Alarm	Red quick flash	Alarm Sound

LEGEND:

Text	Description
... {three periods}	Indicates to continue the operation from the previous direction
, {comma}	Treat this a punctuation. No action is required.
() {brackets}	Inside these brackets are the series of numbers to be entered from the keypad like a PIN code or ID number, card numbers etc.

To alter the keypad configurations, you must first enter the keypad programming mode. Once you are in the programming mode, a two-digit menu option will determine what aspect of the programming you wish to alter.

To enter the programming mode, you must enter the administrator (ADMIN) six digit code. The factory default code is **8 8 8 8 8 8**. You must change the default code (888888) to your unique ADMIN six digit code to alter the existing programming parameters.

Keypad sequence to enter programming mode: Press the star key (*) and hold for two seconds until you hear a beep sound and a blinking red LED before entering your six digit ADMIN code then the pound (#) key. The LED will blink green once then red to confirm the correct six digit ADMIN code was entered after hitting the pound key (#). If an incorrect six digit code is entered, a triple beep sound will be heard after hitting the pound key (#).

Operation State	Menu Number (two digits) {LED must be flashing red}	Task
Exit Programming Mode	*	Press star key
To change ADMIN six-digit code	00	(enter new 6 digit code) #, (repeat new 6 digit code) #
Restore keypad to factory defaults		For assistance call the Camden Technical Support line at 1-905-366-3377.
Delete all user data	20	Enter 0000#
ADDing a PIN (To a specific user ID#)	11	Enter (ID)#, (4-digit PIN) #, ID#, (4 digit PIN), ...
ADDing a CARD (to a specific user ID#)	11	Enter (ID)#, read card, (ID)#, read card, ...
Delete Card or PIN by ID#	22	Enter (ID) #, (ID) #, ...
Change relay time duration. (2 seconds default)	34	Enter (1 to 999) # {Sets relay time from 1 to 999 seconds}

Refer to TABLE A for logging user information

CM-550SK-V3 WATERPROOF KEYPAD
INSTALLATION INSTRUCTIONS

Doorbell and Alarm function: The output to power a remote doorbell or a remote alarm signally device share the same GREY wire[ALARM/BELL]. The keypad must be programmed to activate the grey wire dependant on the use; (i) doorbell or (ii) alarm.

Doorbell Function using the # key.

[First enter programming mode by holding the * key for two seconds, then (ADMIN password), #]

Enter this sequence of buttons while the LED is flashing red. Enter 42 {Yellow LED steady} 1# {LED blinks green then flashes red}, 56 {Yellow LED steady}, 1# {LED blinks green then flashes red}, 57 {Yellow LED steady}, 2# {LED blinks green then flashes red}, * to exit {LED goes red steady}.

[First enter programming mode by holding the * key for two seconds, then (ADMIN password), #]

Operation State	Menu Number (two digits) {LED must be flashing red}	Task
ALARM Configuration		
Turn on ALARM function	40	Enter (0 to 99) to represent the number of minutes for the alarm to sound for when an alarm condition occurs. To immediately cancel an alarm, simply read ADMIN or a user card, or enter (Admin Password) #.
Activate GREY wire (ALARM/BELL) for alarm conditions.	42	Enter 0#. The grey wire (ALARM/BELL) is active low.

TABLE A - USER LOGGING

User ID#	User PIN# (4 to 6 digits)	Name	Location Suite/Office/Department
1			
2			
3			
4			
....			
2,000			

Note: To restore configuration to factory defaults, call for assistance. Call the Camden Technical Support line at 1-905-366-3377.

5. WIRING CONNECTIONS FOR VDC OR VAC POWER

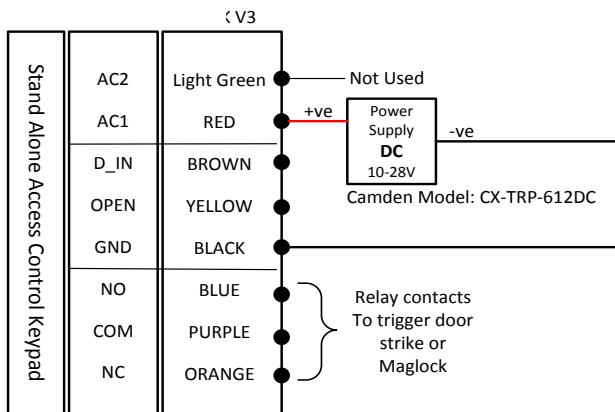
The CM-550SK V3 keypad can be powered by either VDC or VAC power within a range of 10V – 28V.

When wiring for **VDC power** use the red wire for positive and the black wire for ground.

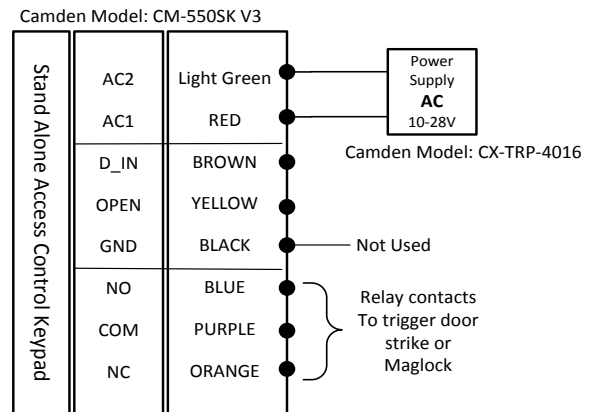
When wiring for **VAC power** use the red wire (AC1) to one VAC wire and light green wire (AC2) to the other VAC wire.

Note: Confirm you are using the light green wire and not the dark green Data 0 wire.

Wiring for DC Power (AC1 & GND)

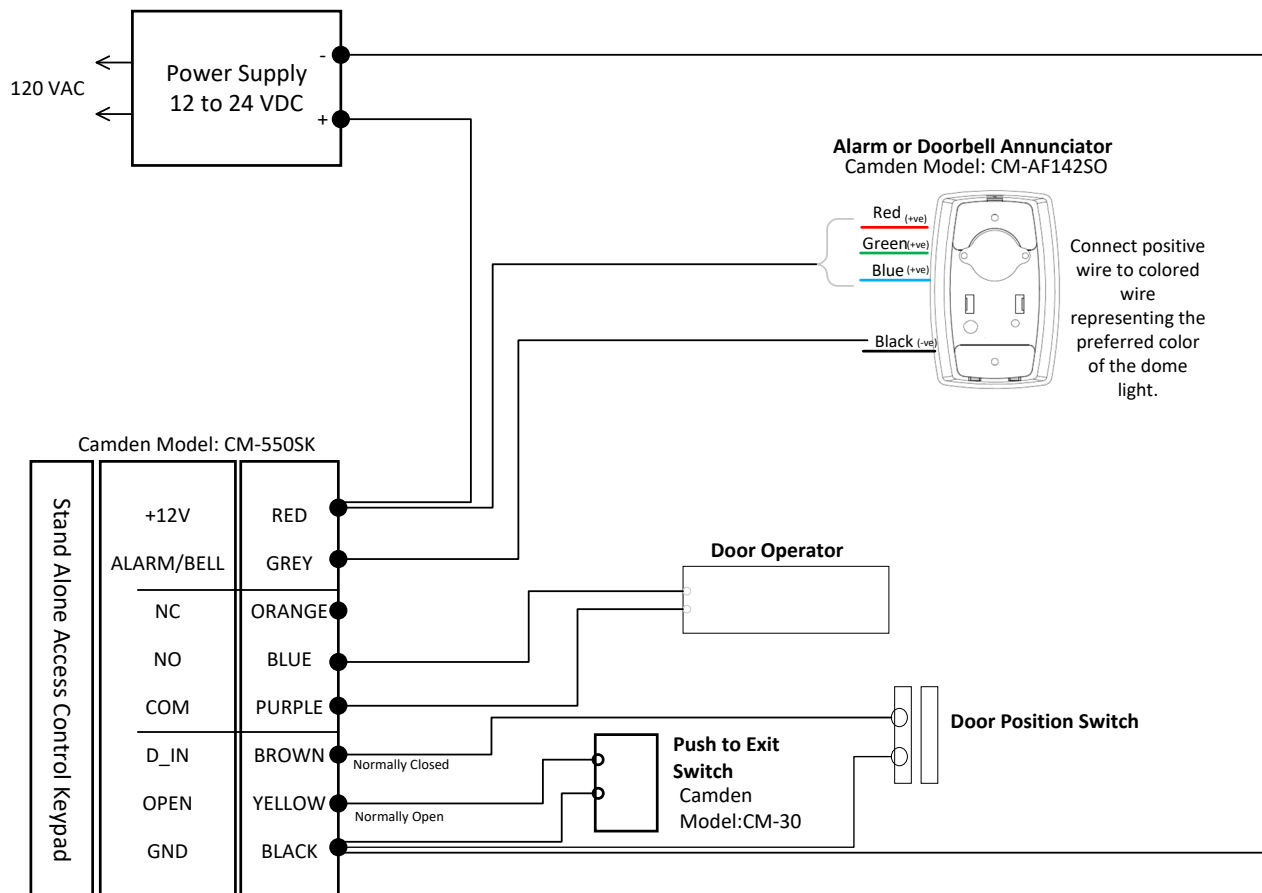


Wiring for AC Power (AC1 & AC2)



Note: Connect corresponding power as shown above to prevent damage to the keypad.

Wiring the CM-550SK V3 to a Door Operator



Wiring the CM-550SK V3 to a Maglock

