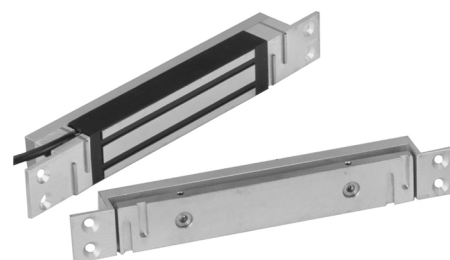


CX-93M-12LS

Electromagnetic Shear Lock

INSTALLATION INSTRUCTIONS



CX-93M-12LS

THIS PACKAGE INCLUDES

- #8 x 8" Self Tapping Screws
- M5 x 8 Flatwashers

SPECIFICATIONS

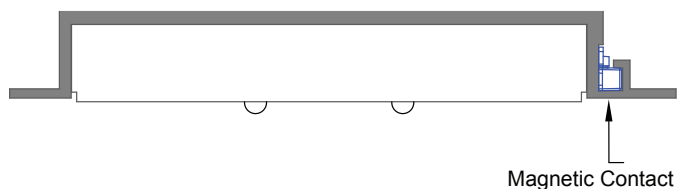
Shear Holding Force	Up to 1200lbs. (545kg)
Voltage Input	12VDC / 24VDC
Current Draw	310mA / 180mA
Lock and Armature Gap	5/64" (2mm)
Operating Temperature	-4°F to 122°F (-20°C to +50°C)
Door Monitor Contact Rating	0.5A @ 28V DC
Lock Dimensions	7 1/4" L x 1 3/16" W x 1" D (181mm x 30mm x 25mm)
Armature Dimensions	7 1/4" L x 1 3/16" W x 3/4" D (181mm x 30mm x 20mm)

IMPORTANT NOTICE:

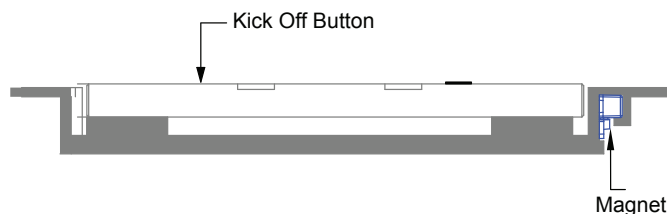
1. Open pocket hole for armature plate in the door frame using the sticker template provided.
2. Attach the armature plate to the door with the hardware provided to right.
3. With the door closed, mark the door frame at the edge of the armature in order to properly align the electromagnet to the armature.
4. Mortise a hole in the door frame for the lock (7 1/4"L x 1 3/8"W x 1"D)

BASIC INSTALLATION CONCEPT & ACCESSORIES

Electromagnetic Shear Lock Diagram



Assembled Armature Plate Horizontal Diagram



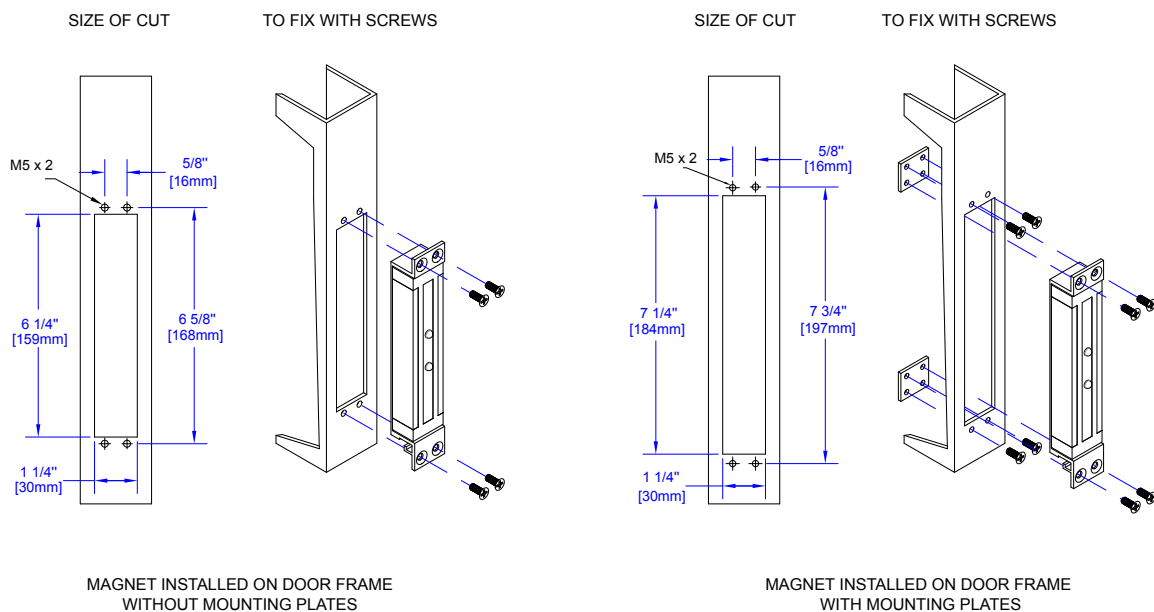
CX-93M-12LS ELECTROMAGNETIC SHEAR LOCK

INSTALLATION INSTRUCTIONS

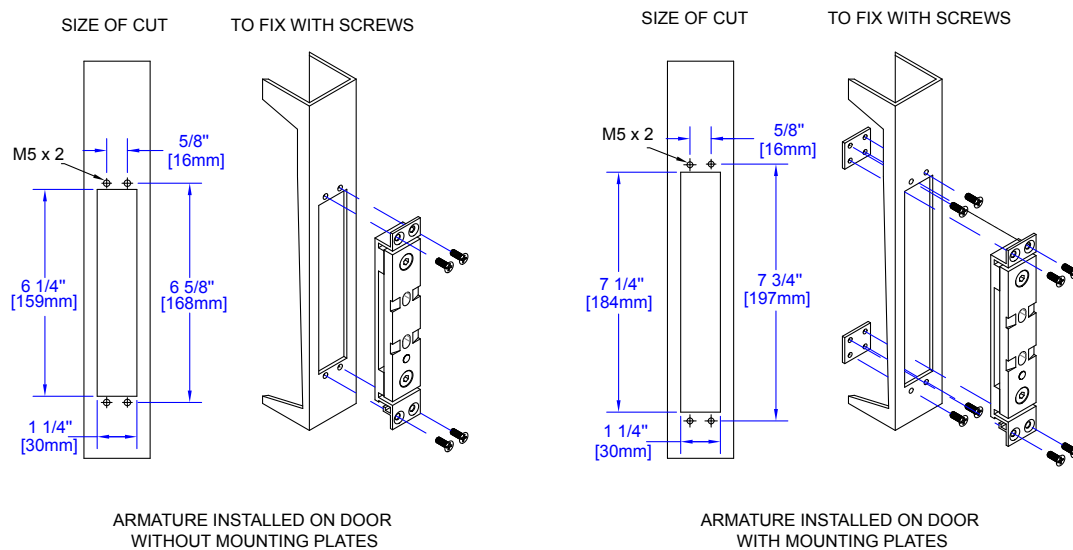
GENERAL INSTALLATION STEPS AND MAINTAINANCE:

1. Mark a center line on the door header frame, where the assembled armature is to be installed.
2. Cut and drill according to the size of the mounting bracket.
3. Connect wiring according to wiring instruction shown below; then mount the shear lock and assembled armature onto the door frame and door.
4. For a wider gap between the door & door frame, use steel flat washers to adjust the gap between lock and armature.
5. Connect the power wires according to the instructions and test the system.
6. It is recommended to apply a light coat of silicon lubricant to the mating surfaces on a monthly basis to prevent rust.

Magnet Installation Drawing

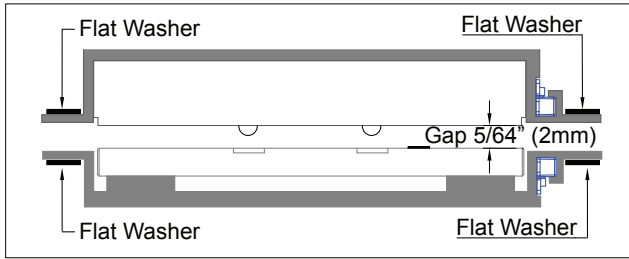


Armature Installation Drawing

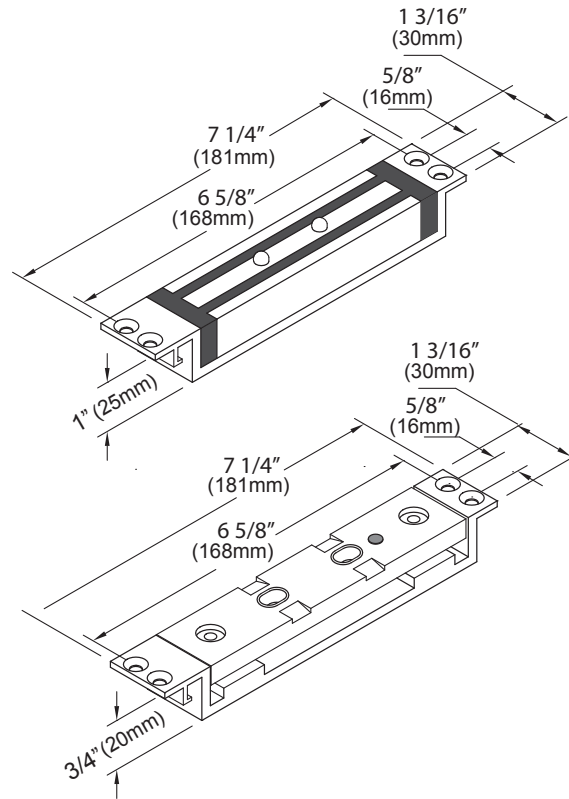


CX-93M-12LS ELECTROMAGNETIC SHEAR LOCK

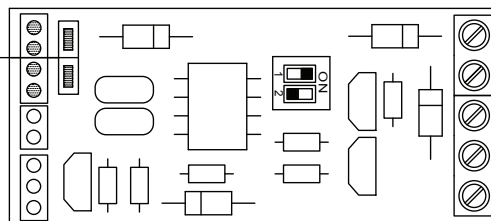
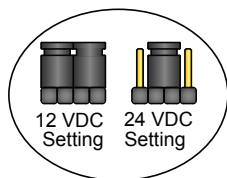
INSTALLATION INSTRUCTIONS



NOTE: Flat washers are only used to adjust armature magnet when the door frame has more than a $5/64"$ (2mm) gap.



Time	SW1	SW2
3	ON	ON
6	ON	OFF
9	OFF	ON
12	OFF	OFF



+ — 12 / 24 VDC Power Input

-

C — Door Monitoring Sensor Output

N.C.

N.O.

IMPORTANT!

Set the jumper position according to the power input before turning ON the power.