



CM-25 & CM-26CB

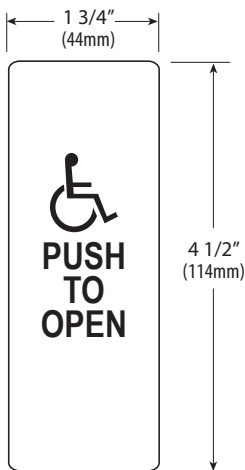
'ALL ACTIVE' NARROW PUSH PLATE SWITCHES



CM-25/4



CM-26CB/4



FRONT VIEW

FEATURES

- MOUNTS IN JAMB OR IN NARROW SURFACE BOX
- UL/CSA LISTED SPST N/O SWITCH, RATED 3 AMPS @ 30 VDC
- CM-25:
CONCEALED MOUNTING SCREWS
 - AVAILABLE IN VERTICAL OR HORIZONTAL FORMATS
 - STAINLESS STEEL CONSTRUCTION
 - A WIDE RANGE OF GRAPHICS AND ARCHITECTURAL FINISHES AVAILABLE
- CM-26CB:
EXPOSED MOUNTING SCREWS
 - VERTICAL FORMAT ONLY
 - BLUE FINISH WITH WHITE DEBOSSED PAINT FILLED GRAPHICS
 - '1/2', '1/4', '1/8' AND '1/16' GRAPHIC OPTIONS ONLY
 - ALUMINUM FACEPLATE
- SUPER QUIET OPERATION
- WATER RESISTANT, WATER TIGHT OPTION AVAILABLE

DESCRIPTION

Camden Door Controls **CM-25** (concealed screws) and **CM-26CB** (exposed screws) 'all active' push plate switches are heavy-duty, ADA compliant door activation switches. The narrow rectangular faceplates are stainless steel or aluminum, and the assembly is designed for easy installation directly on a door jamb, architectural frame or on a narrow surface box. The switch requires minimal frame cut out, is rated 3 Amp @ 30 VDC and provides virtually silent operation.

APPLICATION

Camden 'all-active' push plate switches are designed for areas where an easy-to-activate, high-visibility switch is desired. Ideal for high-traffic areas, hospitals, wheelchair access, seniors' residences, etc. They can be surface or flush mounted.

Camden 'all-active' push plate switches are designed to control electric strikes, electromagnetic locks and automatic doors. They may also be used for shunting, bypassing alarms, request to exit, timed functions and many other applications.

The switches are made for high frequency usage for both indoor and outdoor environments. Camden switches are versatile and can be supplied in various configurations and finishes to suit any commercial, industrial or residential application.

'ALL ACTIVE' NARROW PUSH PLATE SWITCHES

ARCHITECTS/ENGINEERS SPECIFICATIONS

The narrow push plate switches to be used throughout the complex shall be Camden Door Controls CM-25 series or CM-26CB series all-active switches.

The switches shall be easy-to-activate, ADA compliant and pressing any part of the faceplate will activate the device. Faceplates shall be constructed of 18 gauge stainless steel, solid brass or aluminum with dimensions of 1 3/4" x 4 1/2" and shall utilize either concealed mounting screws, for tamper resistance, or exposed screws. Switches shall use plastic spacers and rubber dampers for noise reduction. Narrow push plate switches shall be rated 3 AMP @ 30V DC.

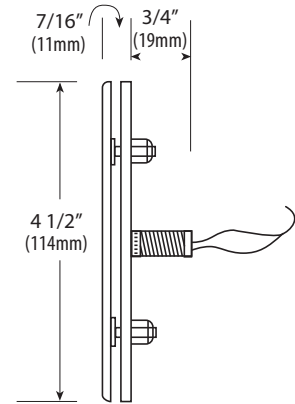
SPECIFICATIONS

VOLTAGE:	12/24V AC/DC
CONTACT TYPE:	N/O SPST
SWITCH TYPE:	MOMENTARY
CONTACT RATING:	3A @ 30VDC
TEMP RANGE:	-40°F TO 140°F (-40°C TO +60°C)
DIMENSIONS:	4 1/2"H x 1 1 3/4"W x 3/16"D (114mm x 44mm x 30mm)
STD. FINISH:	CM-25: US32/C32D CM-26CB: BLUE PAINT

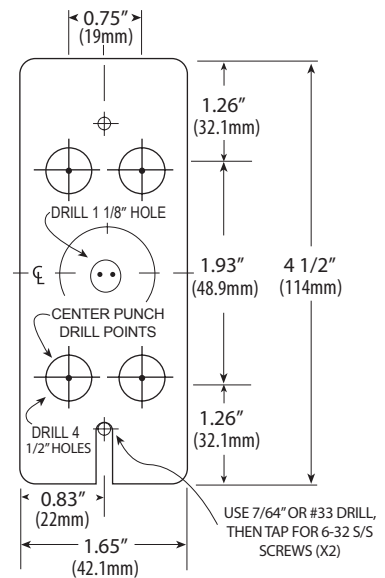
ORDERING INFORMATION

All CM-25 series all-active switches are complete ready-to-install assemblies. They are supplied with stainless steel Allen screws and an Allen wrench for mounting.

MODELS	DESCRIPTION
CM-25	NARROW PUSH PLATE SWITCH, STAINLESS STEEL FINISH, VERTICAL MOUNTING
CM-25/H	NARROW PUSH PLATE SWITCH, STAINLESS STEEL FINISH, HORIZONTAL MOUNTING
CM-26CB	NARROW PUSH PLATE SWITCH, BLUE FINISH, VERTICAL MOUNTING (WITH '2' (WHEELCHAIR SYMBOL), 'A2' (ACTIVE WHEELCHAIR SYMBOL), '4' (WHEELCHAIR SYMBOL & PUSH TO OPEN TEXT) OR 'A4' (ACTIVE WHEELCHAIR SYMBOL & PUSH TO OPEN TEXT))



SIDE VIEW



CUTTING TEMPLATE

OPTIONS

(Add suffix to model above)

FACEPLATE GRAPHIC OPTIONS

CM-XX/1	CM-XX/2	CM-XX/A2	CM-XX/2AL	CM-XX/2AR	CM-XX/3
CM-XX/3F	CM-XX/4	CM-XX/A4	CM-XX/4F	CM-XX/4AL	CM-XX/4AR
		Graphic Colors: CM-25 Blue: /2, /2AL, /2AR, /4, /4AL, /4AR Black: /A2, /3, /3F, /A4, /4F, /8 Red: /8B CM-26CB White: /2, /A2, /4, /A4			
CM-XX/8	CM-XX/8B				

WEATHERPROOF OPTION

CM-XXX-WT:
ADD 'WT' SUFFIX TO MODEL # FOR WATER TIGHT COATING